

# TUNTURI®

## Pure<sup>2.1</sup>

### Pure U bike 2.1

USER MANUAL.....	03-12
BETRIEBSANLEITUNG .....	13-26
MODE D'EMPLOI.....	27-40
HANDLEIDING .....	41-53



*It's easy to feel good!*



## Contents

<b>Welcome</b> .....	<b>3</b>
<b>Safety warnings</b> .....	<b>3</b>
Electrical safety .....	4
<b>Assembly</b> .....	<b>5</b>
Parts out of box .....	5
Hardware kit .....	5
General assembly information.....	5
Assembly steps .....	5
<b>Use</b> .....	<b>7</b>
Adjusting the support feet.....	7
Adjusting the vertical seat position .....	7
<b>Workouts</b> .....	<b>7</b>
Pulse rate measurement .....	8
Heart rate measurement .....	8
Maximum heart rate.....	8
<b>User interface</b> .....	<b>9</b>
Display functions .....	9
Key functions .....	10
Extra functions.....	10
<b>Power on</b> .....	<b>10</b>
<b>Workout</b> .....	<b>10</b>
Quick start .....	10
Manual mode.....	10
Recovery .....	11
Body fat .....	11
Adjusting resistance .....	12
<b>Cleaning and maintenance</b> .....	<b>12</b>
<b>Transport and storage</b> .....	<b>12</b>
<b>Warranty</b> .....	<b>12</b>
<b>Disclaimer</b> .....	<b>12</b>
<b>Specifications</b> .....	<b>54</b>
Parts list.....	56
Exploded view .....	57
Notes .....	59
Notes .....	60

## Welcome

Welcome to the world of Tunturi New Fitness!

Thank you for purchasing this piece of Tunturi equipment. Tunturi offers a wide range of professional fitness equipment, including cross trainers, treadmills, exercise bikes, and rowers. The Tunturi equipment is suitable for the entire family, no matter what fitness level. For more information, please visit our website [www.tunturi.com](http://www.tunturi.com)

## Safety warnings



### WARNING

Read the safety warnings and the instructions. Failure to follow the safety warnings and the instructions can cause personal injury or damage to the equipment. Keep the safety warnings and the instructions for future reference.



### WARNING

Heart rate monitoring systems may be inaccurate. Over exercise may result in serious injury or death. If you feel faint stop exercising immediately.

- The equipment is suitable for domestic and professional use only (e.g. hospitals, fire stations, hotels, schools etc.). Max. usage is limited to 6 hrs a day. The equipment is not suitable for full commercial use (e.g. large gyms).
- The use of this equipment by children or persons with a physical, sensory, mental or motorial disability, or lack of experience and knowledge can give cause to hazards. Persons responsible for their safety must give explicit instructions or supervise the use of the equipment.
- Before starting your workout, consult a physician to check your health.
- If you experience nausea, dizziness or other abnormal symptoms, immediately stop your workout and

- consult a physician.
- To avoid muscular pain and strain start each workout by warming up and finish each workout by cooling down. Remember to stretch at the end of the workout.
- The equipment is suitable for indoor use only. The equipment is not suitable for outdoor use.
- Only use the equipment in environments with adequate ventilation. Do not use the equipment in draughty environments in order not to catch a cold.
- Only use the equipment in environments with ambient temperatures between 10 °C and 35 °C. Only store the equipment in environments with ambient temperatures between 5 °C and 45 °C.
- Do not use or store the equipment in humid surroundings. The air humidity must never be more than 80%.
- Only use the equipment for its intended purpose. Do not use the equipment for other purposes than described in the manual.
- Do not use the equipment if any part is damaged or defective. If a part is damaged or defective, contact your dealer.
- Keep your hands, feet and other body parts away from the moving parts.
- Keep your hair away from the moving parts.
- Wear appropriate clothing and shoes.
- Keep clothing, jewellery and other objects away from the moving parts.
- Make sure that only one person uses the equipment at a time. The equipment must not be used by persons weighing more than 135 kg (300 lbs).
- Do not open equipment without consulting your dealer.

## Electrical safety

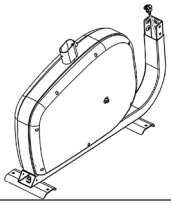





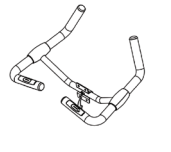
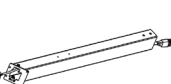
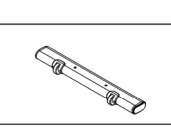
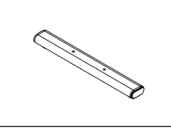




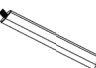
---

(only for equipment with electric power)

- Before use, always check that the mains voltage is the same as the voltage on the rating plate of the equipment.
- Do not use an extension cable.
- Keep the mains cable away from heat, oil and sharp edges.
- Do not alter or modify the mains cable or the mains plug.
- Do not use the equipment if the mains cable or the mains plug is damaged or defective. If the mains cable or the mains plug is damaged or defective, contact your dealer.
- Always fully unwind the mains cable.
- Do not run the mains cable underneath the equipment. Do not run the mains cable underneath a carpet. Do not place any objects on the mains cable.
- Make sure that the mains cable does not hang over the edge of a table. Make sure that the mains cable cannot be caught accidentally or tripped over.
- Do not leave the equipment unattended when the mains plug is inserted into the wall socket.
- Do not pull the mains cable to remove the mains plug from the wall socket.
- Remove the mains plug from the wall socket when the equipment is not in use, before assembly or disassembly and before cleaning and maintenance.

# Assembly

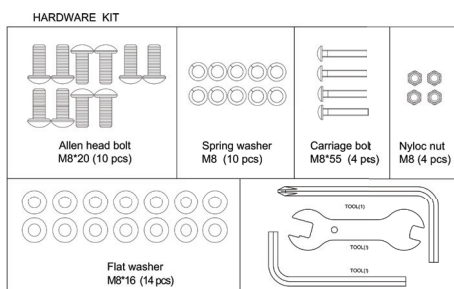
## Parts out of box

	1	 M8X20 ALLEN HEAD BOLT 10  M8X16X1.2T WASHER 14  M8 SPRING WASHER 10  M8X55 CARRIAGE BOLTS 4  M8 NYLON NUT 4	
	1		
	1		
	1		
	1	 1/1	 1
	1	 1	 1

The package contains the parts as shown in figure.

If a part is missing, contact your dealer.

## Hardware kit



The package contains the fasteners as shown in figure.

If a part is missing, contact your dealer.

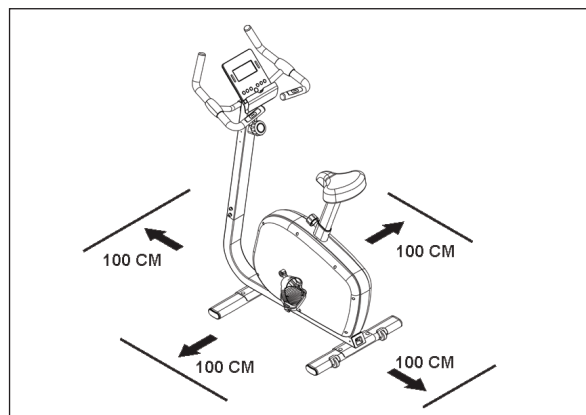
## General assembly information

### WARNING

- Assemble the equipment in the given order.
- Carry and move the equipment with at least two persons.

### CAUTION

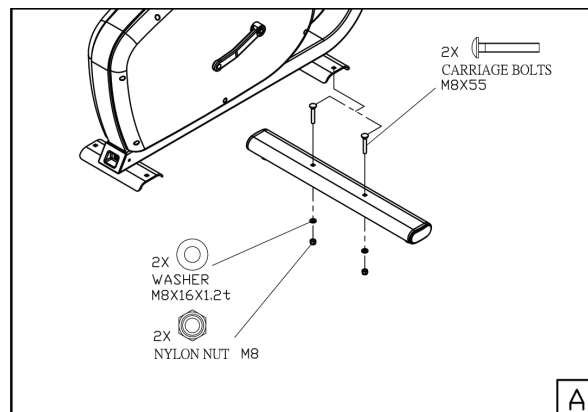
- Place the equipment on a firm, level surface.
- Place the equipment on a protective base to prevent damage to the floor surface.
- Allow at least 100 cm of clearance around the equipment.



Refer to the illustrations for the correct assembly of the equipment.

## Assembly steps

### Assembly step A

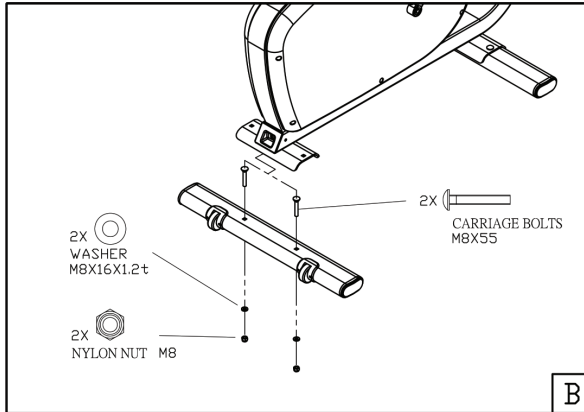


- Fit front stabilizer by using the shown hardware.

### Remark:

First put all screws/ bolts in correct place before tightening them fully.

**Assembly step B**

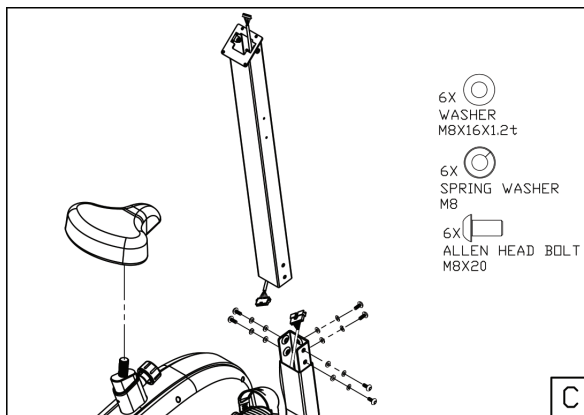


- Fit rear stabilizer by using the shown hardware.

**Remark:**

First put all screws/ bolts in correct place before tightening them fully.

**Assembly step C**



- Verbinde die Kabel vom Upright-Tube und Hauptrahmen bevor Sie den Upright tube in Position
- Verwenden Sie den Beiliegenden Inbus-Schlüssel um die Befestigungsschrauben zu befestigen (Uhrzeigersinn).

**Bemerkung:**

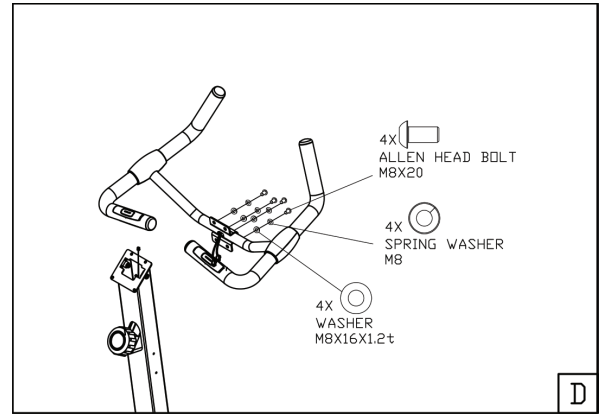
- Drehe alle 6 Bolzen erst handfest bevor diese nachgezogen werden um falsche Ausrichtung zu vermeiden.
- Montiere den Seat auf dem Seat-Tube.

**Remark:**

First tighten all 6 bolts hand tight before tightening them fully. This to avoid miss alignment

- Fix the seat to the seat tube.

**Assembly step D**



- Lead the wires for hand pulse reading through the hole towards the display assembly opening.

**Remark:**

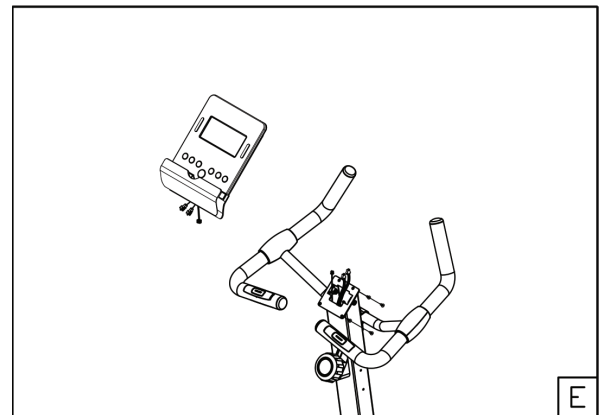
Avoid the wires to damage during assembly..

- Fit the handlebar to the upright tube by using the shown hardware..

**Remark:**

First put all screws/ bolts in correct place before tightening them fully.

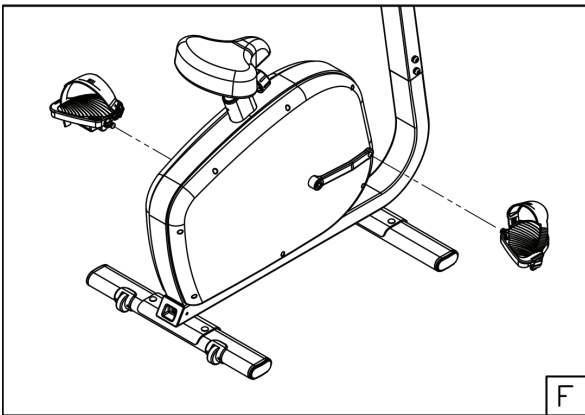
**Assembly step E**



- Guide the hand pulse wires coming from the handlebar and data cable coming from upright tube through the console bracket hole.
- Remove the 4 assembly screws from the console's rear cover.
- Connect the hand pulse wires and data cable with the console.
- Fix the console to the console bracket.

**Remark:**

Avoid the wires to damage during assembly

**Assembly step F****Remark:**

There is a marker for Right (R) and Left (L) pedal in pedal axle.

- Fix Left pedal to the crank arm by turning in counter clock wise direction.
- Fix Right pedal to the crank arm by turning in the clock wise direction.

**Remark:**

Make sure the pedals are tightened fully.

## Use

### Adjusting the support feet

The equipment is equipped with 4 support feet. If the equipment is not stable, the support feet can be adjusted.

1. Turn the support feet as required to put the equipment in a stable position.
2. Tighten the locknuts to lock the support feet.

**NOTE**

The machine is the most stable when all support feet are turned fully in. Therefore start to level the machine by turning all support feet fully in, before turning out the required support feet to stable the machine.

### Adjusting the vertical seat position

The vertical seat position can be adjusted by setting the seat to the required position.

1. Loosen the seat adjustment knob.
2. Move the seat to the required position.
3. Tighten the seat adjustment knob.

## Workouts

The workout must be suitably light, but of long duration. Aerobic exercise is based on improving the body's maximum oxygen uptake, which in turn improves endurance and fitness. You should perspire, but you should not get out of breath during the workout.

To reach and maintain a basic fitness level, exercise at least three times a week, 30 minutes at a time. Increase the number of exercise sessions to improve your fitness level. It is worthwhile to combine regular exercise with a healthy diet. A person committed to dieting should exercise daily, at first 30 minutes or less at a time, gradually increasing the daily workout time to one hour.

Start your workout at low speed and low resistance to prevent the cardiovascular system from being subjected to excessive strain. As the fitness level improves, speed and resistance can be increased gradually. The efficiency of your exercise can be measured by monitoring your heart rate and your pulse rate.

### **Pulse rate measurement**

#### **(hand pulse sensors)**

The pulse rate is measured by sensors in the handlebars when the user is touching both sensors at the same time.



#### **WARNING**

Heart rate monitoring systems may be inaccurate. Over exercise may result in serious injury or death. If you feel faint stop exercising immediately.

Most accurate pulse measurement is achieved when the skin is slightly moist and constantly touching the hand pulse sensors. If the skin is too dry or too moist, the pulse rate measurement might become less accurate.



#### **NOTE**

Do not use the hand pulse sensors in combination with a heart rate chest belt. If you set a heart rate limit for your workout, an alarm will sound when it is exceeded.

### **Heart rate measurement**

#### **(heart rate chest belt)**

The most accurate heart rate measurement is achieved with a heart rate chest belt. The heart rate is measured by a heart rate receiver in combination with a heart rate transmitter belt. Accurate heart measurement requires that the electrodes on the transmitter belt are slight moist and constantly touching the skin. If the electrodes are too dry or too moist, the heart rate measurement might become less accurate.



#### **WARNING**

If you have a pacemaker, consult a physician before using a heart rate chest belt.



#### **CAUTION**

If there are several heart rate measurement devices next to each other, make sure that the distance between them is at least 2 meter.

If there is only one heart rate receiver and several heart rate transmitters, make sure that only one person with a transmitter is within transmission range.



#### **NOTE**

- Do not use a heart rate chest belt in combination with the hand pulse sensors.
- Always wear the heart rate chest belt under your clothes directly in contact with your skin. Do not wear the heart rate chest belt above your clothes. If you wear the heart rate chest belt above your clothes, there will be no signal.
- If you set a heart rate limit for your workout, an alarm will sound when it is exceeded.
- The transmitter transmits the heart rate to the console up to a distance of 1,5 meter. If the electrodes are not moist, the heart rate will not appear on the display.
- Some fibres in clothes (e.g. polyester, polyamide) create static electricity which can prevent accurate heart rate measurement.
- Mobile phones, televisions and other electrical appliances create an electromagnetic field which can prevent accurate heart rate measurement.

### **Maximum heart rate**

#### **(during training)**

The maximum heart rate is the highest heart rate a person can safely achieve through exercise stress. The following formula is used to calculate the average



maximum heart rate: 220 - AGE. The maximum heart rate varies from person to person.



### WARNING

Make sure that you do not exceed your maximum heart rate during your workout. If you belong to a risk group, consult a physician.

#### **Beginner: (50-60% of max. heart rate)**

Suitable for beginners, weight-watchers, convalescents and persons who have not exercised for a long time. Exercise at least three times a week, 30 minutes at a time.

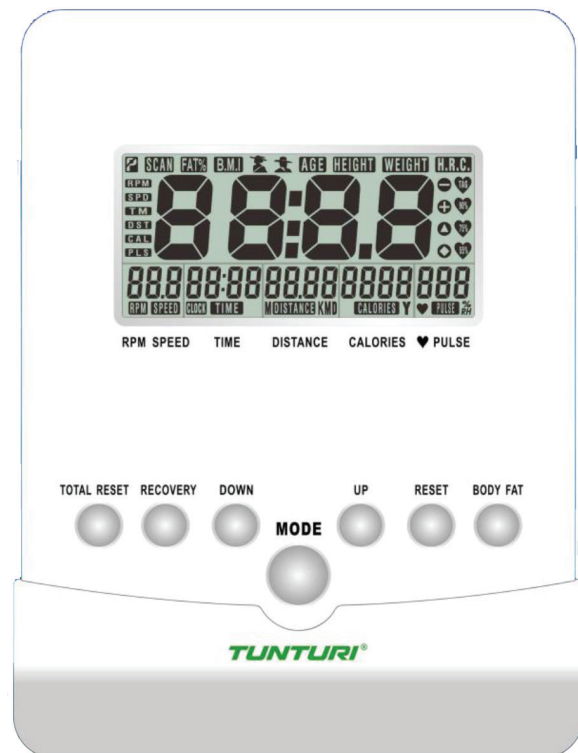
#### **Advance: (60-70% or max. heart rate)**

Suitable for persons who want to improve and maintain fitness. Exercise at least three times a week, 30 minutes at a time.

#### **Expert: (70-80% or max. heart rate)**

Suitable for the fittest of persons who are used to long-endurance workouts.

## User interface



### Display functions

#### **Time window :**

Shows workout time during exercise

#### **Speed window :**

Shows actual speed during exercise

#### **RPM window :**

Shows revolutions per minute during exercise

#### **Pulse window :**

Shows pulse in bpm during exercise

#### **Distance window :**

Shows workout distance during exercise.

#### **Calories window :**

Shows burned calories during exercise

**Key functions**

**Total reset :**

Console will reboot and starts in factory setting menu.

**Recovery key :**

Test heart rate recovery status.

**Down key :**

In setting selection lower value.

**Mode key :**

Confirm setting or selection

**Up key :**

In setting selection upper value.

**Reset key :**

When press and hold for 2 seconds, display will reboot and start from main menu. (all shown data will be lost)  
Return to main menu.

**Start/ stop key :**

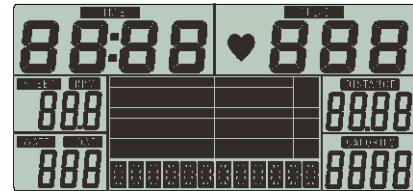
Start workout when in idle mode.  
Stop/ pause workout when in active mode.

**Extra functions**

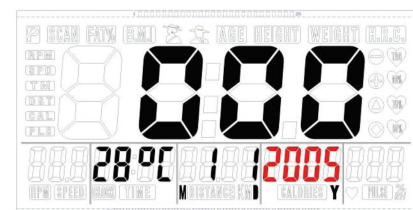
- Choose speed/ distance units by using the Metric/ Imperial switch located on the back cover of the console  
Batteries must be reinstalled to apply the change.
- Choose temperature units to display by using the C/F switch located on the back cover of the console.  
Batteries must be reinstalled to apply the change.
- Scan symbol is displayed in the upper left corner when display is in scan mode. You can switch scan mode on and off by pressing “enter” in exercise mode.
- When setting one or more targets, the target value starts to count up when reached “0”
- The console requires 2x1.5V AA type batteries to be installed in the battery housing on the back of the console.

**Power on**

Plug in power supply, computer will power on and display all segments on LCD for 2 seconds.



Press up and/ or down button to set calender and time setting right.  
Press Mode button to confirm



**Note:**

After 4 minutes without pedaling or pulse input, console will enter into power saving mode.

In power save mode press any key to wake the console up.

**Workout**

**Quick start**

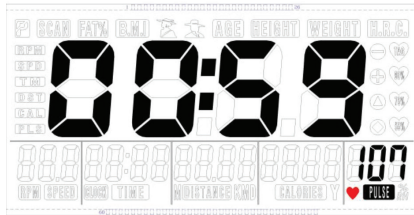
Start training by pedaling. All workout information will count up. (time, distance, calories)

**Manual mode**

Set target first by pressing “Mode” to enter manual program.  
Use up/ down key to set limit for: Time, distance and/ or calories.  
Start pedaling and console will have “beep” sound for 8 seconds when target value has count down to “0”

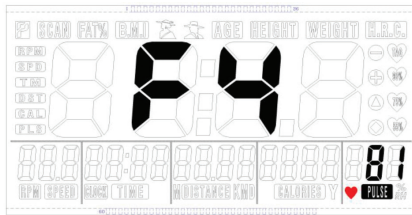
### Recovery

- After exercising for a period of time, keep holding on hand grips until display shows the actual pulse reading.
- Press Recovery key, and re grab hand grips
- All display functions will stop except "TIME" that will start counting down from 00:60 to 00:00.



- LCD will display your heart rate recovery status with the F1, F2....to F6.

F1 is the best result and F6 is the worst. Press the RECOVERY button again to return the main display.



**Note:**

During the recovery time, re-press "RECOVERY" and console will go back to previous page.

**Remark:**

The recovery index is in relation to the heart rate frequency in both the beginning and the end of the measurement.

### Body fat

In stop mode, press Body fat key to start this function.

- Set Gender by using Up/ Down key and confirm by Mode key.
- Set Age by using Up/ Down key and confirm by Mode key.
- Set Height by using Up/ Down key and confirm by Mode key.
- Set Weight by using Up/ Down key and confirm by Mode key.

After confirm user must grab and hold both hand pulse sensors.

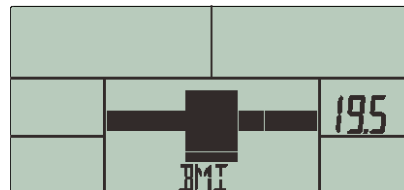
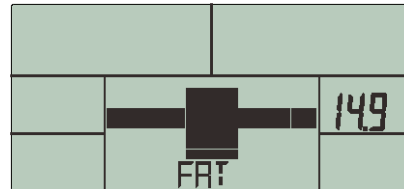


**Note:**

If hand grips are grabbed incorrectly, display cannot read and show "----" " " "----". Re grab hand pulse sensors again to see if improves.

When console can read the display will show a progress bar.

Display will show after finished body fat in percentage and BMI as a number by turns in every 3 seconds.



**Note:**

Error codes in body fat program are:

LCD show "----" " " "----": hand grips search for reading

E1: There is no heart rate signal input detected for at least 5 seconds.

E4: Occurs when FAT% is below 5% or exceeds 50%. Occurs when BMI result is below 5 or exceeds 50.

### Adjusting resistance

To increase or decrease resistance, turn the adjustment knob at the top of the handlebar support tube clockwise (+ direction) to increase resistance and counterclockwise (- direction) to decrease resistance.

The scale above the knob (1-16) helps you find and reset a suitable resistance.

### Cleaning and maintenance

Defects and malfunctions Despite continuous quality control, defects and malfunctions caused by individual parts can occur in the equipment. In most cases, it will be sufficient to replace the defective part.

- If the equipment does not function properly, immediately contact the dealer.
- Provide the model number and the serial number of the equipment to the dealer. State the nature of the problem, conditions of use and purchase date.

### Transport and storage



#### WARNING

Carry and move the equipment with at least two persons.

- Remain standing in front of the equipment on each side and take a sturdy grip at the handlebars. Lift the front of the equipment so as to lift the rear of the equipment on the wheels. Move the equipment and carefully put the equipment down. Place the equipment on a protective base to prevent damage to the floor surface.
- Move the equipment carefully over uneven surfaces. Do not move the equipment upstairs using the wheels, but carry the equipment by the handlebars.
- Store the equipment in a dry place with as little temperature variation as possible.

### Warranty

The product has a warranty from the date of delivery (to be documented by invoice or delivery note).

Further information on warranty terms can be obtained from your local dealer.

The warranty terms may vary from one country to another. Damages caused by normal wear, overloading or improper handling are excluded from the warranty. Damages caused by material or manufacturing faults are covered by the warranty and will be repaired or replaced at no cost.

### Disclaimer

2014 Tunturi New Fitness BV.  
All rights reserved

The product and the manual are subject to change. Specifications can be changed without further notice

## Index

Deutsch .....	13
<b>Willkommen .....</b>	<b>13</b>
<b>Warnhinweise zur .....</b>	<b>13</b>
<b>Sicherheit .....</b>	<b>13</b>
Elektrische Sicherheit .....	14
<b>Zusammenbau .....</b>	<b>15</b>
Verpackungsinhalt .....	15
Allgemeine Zusammenbau .....	15
Montageschritte .....	16
<b>Gebrauch .....</b>	<b>17</b>
Einstellen der Stützfüße .....	17
Einstellen der verticalen Sitzposition ..	17
<b>Trainings .....</b>	<b>18</b>
Pulsfrequenzmessung .....	18
Herzfrequenzmessung .....	18
Maximale Herzfrequenz .....	19
<b>User interface .....</b>	<b>19</b>
Display Funktionen .....	19
Key Funktionen .....	20
Extra Funktionen .....	20
Einschalten .....	20
<b>Programme .....</b>	<b>21</b>
Manueller modus .....	21
Beginner Modus .....	21
Advance Modus .....	22
Sporty Modus .....	22
Cardio Modus .....	23
Watt Modus .....	24
Recovery .....	24
Body fat .....	25
<b>Reinigung und Wartung .....</b>	<b>25</b>
<b>Transport und Lagerung .....</b>	<b>25</b>
<b>Garantie .....</b>	<b>26</b>
<b>Haftungsausschluss .....</b>	<b>26</b>
<b>Specifications .....</b>	<b>54</b>
Parts list .....	56
Exploded view .....	57
Notes .....	59
Notes .....	60

## Deutsch

Diese deutsche Bedienungsanleitung ist eine Übersetzung des englischen Textes. Es können keine Rechte auf diese Übersetzung abgeleitet werden.

## Willkommen

Willkommen in der Welt von Tunturi New Fitness!

Vielen Dank, dass Sie dieses Gerät von Tunturi erworben haben. Tunturi bietet eine breite Palette an professionellen Fitnessgeräten wie beispielsweise Crosstrainern, Laufbändern, Trainingsfahrrädern, Rudergeräten und Vibrationsplatten. Die Tunturi Geräte sind für die ganze Familie geeignet - ganz egal, wie fit man ist. Weitere Informationen finden Sie auf unserer Website unter [www.tunturi.com](http://www.tunturi.com)

## Warnhinweise zur Sicherheit



### WARNUNG

Lesen Sie die Warnhinweise zur Sicherheit und die Anweisungen. Werden die Warnhinweise zur Sicherheit und die Anweisungen nicht befolgt, kann dies zu Personenverletzungen und Schäden am Gerät führen. Bewahren Sie die Warnhinweise zur Sicherheit und die Anweisungen zur künftigen Bezugnahme auf.



### WARNUNG

Herzfrequenz-Überwachungssysteme können ungenau sein. Eine Überanstrengung kann zu schweren Schädigungen oder zum Tod führen. Wenn Sie sich schwach oder ohnmächtig fühlen, stellen Sie die Übungen unverzüglich ein.

- Das Gerät ist nur für den Heim- und gewerblichen Gebrauch (z.B. Krankenhäuser, Feuerwachen, Hotels, Schulen, usw.) geeignet. Die maximale Verwendung ist auf 6 Stunden pro Tag beschränkt. Das Gerät ist nicht für den ausschließlichen gewerblichen Einsatz (z.B. große Fitnessstudios) geeignet.

- Wenn dieses Gerät von Kindern oder Personen mit körperlicher, sensorischer, geistiger oder motorischer Behinderung verwendet wird, oder wenn nicht genügend Erfahrung und Kenntnisse vorhanden sind, kann dies zu Gefahrensituationen führen. Personen, die für deren Sicherheit verantwortlich sind, müssen klare Anweisungen geben oder den Gebrauch des Geräts beaufsichtigen.
- Bevor Sie Ihr Training starten, nehmen Sie Kontakt mit einem Arzt auf, um Ihre Gesundheit kontrollieren zu lassen.
- Falls Sie Übelkeit, ein Schwindelgefühl oder andere anormale Symptome verspüren, hören Sie unverzüglich mit Ihrem Training auf und wenden Sie sich an einen Arzt.
- Um einen Muskelkater zu vermeiden, starten Sie jedes Training mit Aufwärmen und beenden Sie es mit Abkühlen. Denken Sie daran, sich am Ende des Trainings zu dehnen.
- Das Gerät ist nur für den Gebrauch in geschlossenen Räumen geeignet. Das Gerät ist nicht für den Gebrauch im Freien geeignet.
- Verwenden Sie das Gerät nur in Umgebungen mit ausreichender Belüftung. Verwenden Sie das Gerät nicht in zugiger Umgebung, damit Sie sich nicht erkälten.
- Verwenden Sie das Gerät nur in Umgebungen mit Umgebungstemperaturen zwischen 10 °C und 35 °C. Lagern Sie das Gerät nur in Umgebungen mit einer Umgebungstemperatur zwischen 5 °C und 45 °C.
- Verwenden und lagern Sie das Gerät nicht in feuchten Umgebungen. Die Luftfeuchtigkeit darf niemals 80% überschreiten.
- Verwenden Sie das Gerät nur bestimmungsgemäß. Verwenden Sie das Gerät nicht für einen anderen als für den in diesem Handbuch beschriebenen Zweck.
- Verwenden Sie das Gerät nicht, falls Teile beschädigt oder defekt sind. Ist ein Teil beschädigt oder defekt, wenden Sie sich an Ihren Händler.

- Halten Sie Ihre Hände, Füße und andere Körperteile von den beweglichen Teilen fern.
- Halten Sie Ihr Haar von den beweglichen Teilen fern.
- Tragen Sie entsprechende Kleidung und Schuhe.
- Halten Sie Kleidung, Schmuck und andere Gegenstände von den beweglichen Teilen fern.
- Vergewissern Sie sich, dass das Gerät nur von einer Person auf einmal verwendet wird. Das Gerät darf nicht von Personen verwendet werden, deren Gewicht 135 kg (300 lbs) überschreitet.
- Öffnen Sie das Gerät nicht, ohne vorher mit Ihrem Händler zu sprechen.

### **Elektrische Sicherheit**

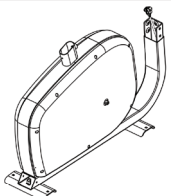
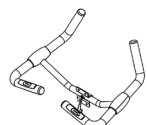
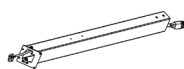
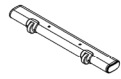






(betrifft nur elektrisch betriebene Geräte)

- Vergewissern Sie sich vor der Verwendung stets, dass die Netzspannung mit der Spannung auf dem Typenschild des Geräts übereinstimmt.
- Verwenden Sie kein Verlängerungskabel.
- Halten Sie das Netzkabel von Hitze, Öl und scharfen Kanten fern.
- Verändern Sie nichts am Netzkabel oder am Netzstecker
- Verwenden Sie das Gerät nicht, falls das Netzkabel oder der Netzstecker beschädigt oder defekt ist. Ist das Netzkabel oder der Netzstecker beschädigt oder defekt, wenden Sie sich an Ihren Händler.
- Wickeln Sie das Netzkabel immer vollständig ab.
- Lassen Sie das Netzkabel nicht unter dem Gerät entlanglaufen. Lassen Sie das Netzkabel nicht unter einem Teppich entlanglaufen. Stellen Sie keine Gegenstände auf das Netzkabel.
- Vergewissern Sie sich, dass das Netzkabel nicht über der Kante eines Tisches hängt. Vergewissern Sie sich, dass niemand versehentlich über das Netzkabel stolpert.

- Lassen Sie das Gerät nicht unbeaufsichtigt, wenn der Netzstecker in die Wandsteckdose eingesteckt ist.
- Ziehen Sie nicht am Netzkabel, um den Netzstecker aus der Wandsteckdose zu ziehen.
- Ziehen Sie den Netzstecker aus der Wandsteckdose, wenn das Gerät nicht verwendet wird, bevor es zusammengebaut oder zerlegt wird sowie vor der Reinigung und Wartung.

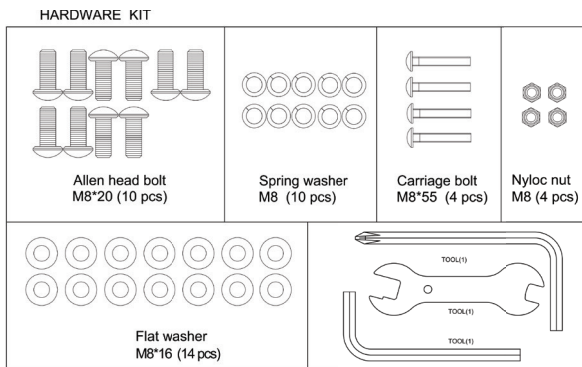
## Zusammenbau

### Verpackungsinhalt

	1	<ul style="list-style-type: none"> <li>□ M8X20 ALLEN HEAD BOLT 10</li> <li>○ M8X16X1.2T WASHER 14</li> <li>○ M8 SPRING WASHER 10</li> <li>▬ M8X55 CARRIAGE BOLTS 4</li> <li>⊗ M8 NYLON NUT 4</li> </ul>			
	1				
	1				
	1				
	1		1/1		1
	1		1		1

Die Verpackung enthält die in Bild dargestellten Teile.

Fehlt ein Teil, wenden Sie sich an Ihren Händler.



Die Verpackung enthält die Befestigungsteile gemäß Bild. Siehe Abschnitt „Beschreibung“.

Fehlt ein Teil, wenden Sie sich an Ihren Händler.

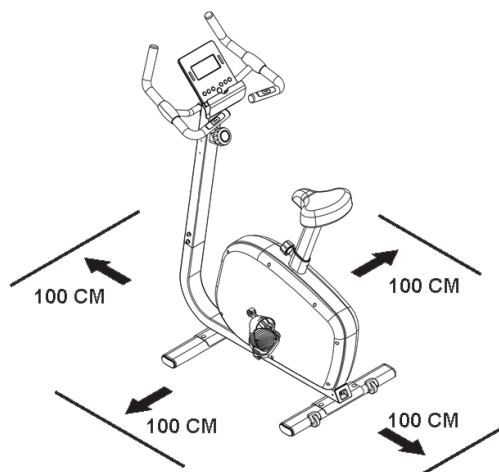
### Allgemeine Zusammenbau

#### WARNUNG

- Bauen Sie das Gerät in der angegebenen Reihenfolge zusammen.
- Tragen und bewegen Sie das Gerät mit mindestens zwei Personen.

#### VORISCHT

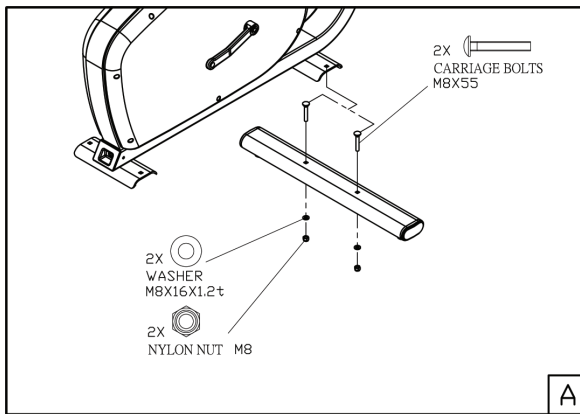
- Stellen Sie das Gerät auf festen, ebenen Boden.
- Stellen Sie das Gerät auf eine schützende Unterlage, um Schäden am Bodenbelag zu vermeiden.
- Sorgen Sie rund um das Gerät für einen Freiraum von mindestens 100 cm.



- Der richtige Zusammenbau des Geräts geht aus den Abbildungen hervor.

**Montageschritte**

**Montageschritt A**

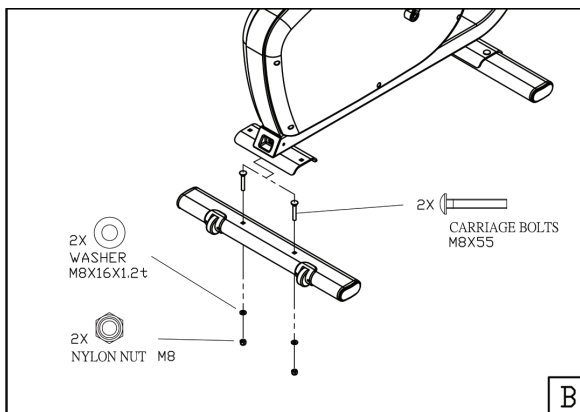


- Montiere den vordere Stabilisator mithilfe der gezeigten Hardware.

**Bemerkung:**

Platziere an erster Stelle alle Schrauben/Bolzen an der richtigen Stelle bevor diese vollständig zu befestigen

**Montageschritt B**

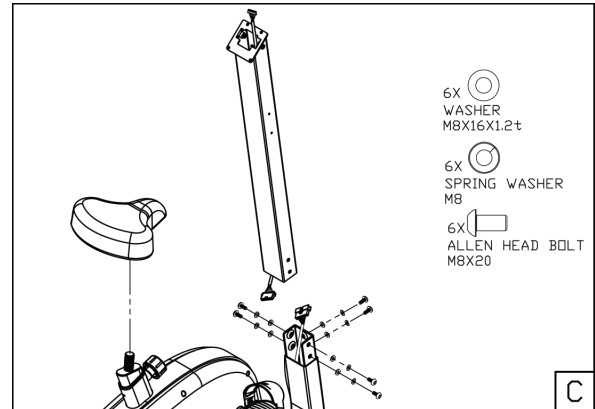


- Montiere den hinteren Stabilisator mithilfe der gezeigten Hardware.

**Bemerkung:**

Platziere an erster Stelle alle Schrauben/Bolzen an der richtigen Stelle bevor diese vollständig zu befestigen

**Montageschritt C**

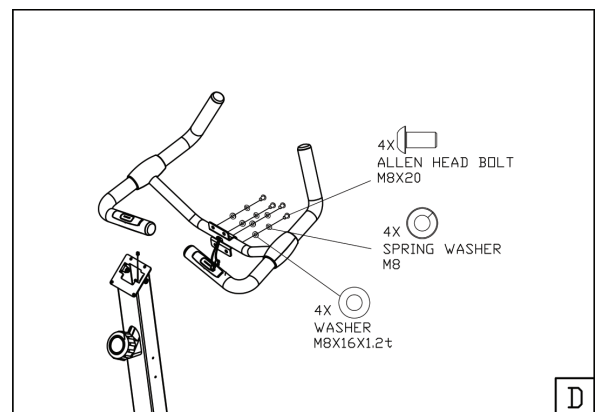


- Verbinde die Kabel vom Upright-Tube und Hauptrahmen bevor Sie den Upright tube in Position
- Verwenden Sie den Beiliegenden Inbus-Schlüssel um die Befestigungsschrauben zu befestigen (Uhrzeigersinn).

**Bemerkung:**

- Drehe alle 6 Bolzen erst handfest bevor diese nachgezogen werden um falsche Ausrichtung zu vermeiden.
- Montiere den Seat auf dem Seat-Tube.

**Montageschritt D**



- Ziehen Sie die Anschluss-Kabel für Hand-Pulse Sensoren durch die Öffnung Richtung Display Anschlusspunkt.

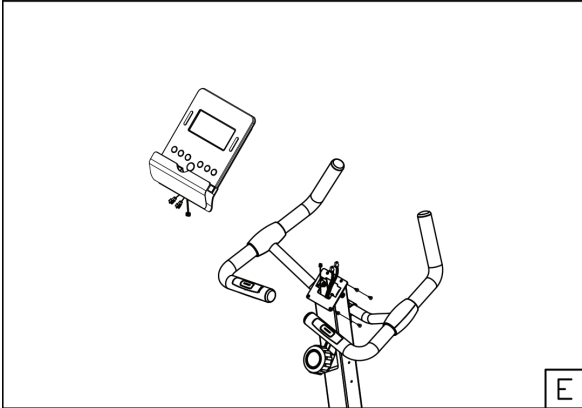
**Hinweis:**

Vermeiden Sie Beschädigung der Kabel während der Montage. Befestige den Handle bar an der Upright-Tube mithilfe der gezeigten Hardware.



**Bemerkung:**

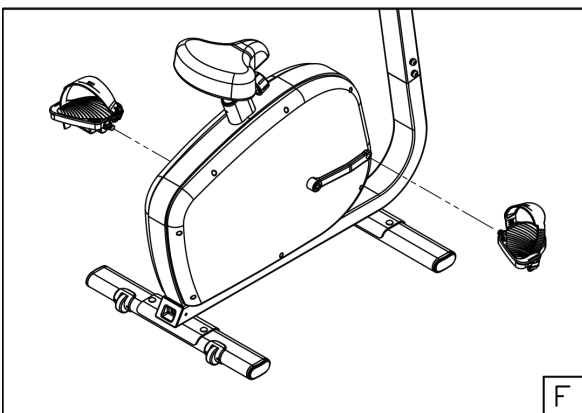
Platziere an erster Stelle alle Schrauben/Bolzen an der richtigen Stelle bevor diese vollständig zu befestigen

**Montageschritt E**

- Ziehen sie die Hand-Pulse wires aus der Handle bar und das Data-Cable aus dem Upright-Tube vorsichtig durch die Öffnung im Konsole-Bracket
- Entferne die 4 Montage-Schrauben aus der Rückseite der Konsole.
- Schließe die Hand-Pulse wire und das Data-Cable an, an der Konsole.
- Befestige die Konsole am Konsole-Bracket.

**Bemerkung:**

Vermeiden Sie Beschädigung der Kabel während der Montage. Upright-Tube mithilfe der

**Montageschritt F****Hinweis:**

An den Pedalen und Pedal-Axle ist eine Markierung Rechts (R) und Links (L).

- Befestige das Linke Pedal am Linken Crank (gegen den Uhrzeigersinn).

- Befestige das Rechte Pedal am Rechten Crank (Uhrzeigersinn).

**Bemerkung:**

Stellen Sie sicher, dass die Pedale vollständig nachgezogen sind

## Gebrauch

### Einstellen der Stützfüße

Das Gerät hat 4 Stützfüße. Steht das Gerät nicht stabil, kann es mit den Stützfüßen eingestellt werden.

- Drehen Sie die Stützfüße wie erforderlich, um das Gerät in eine stabile Position zu bringen.
- Ziehen Sie die Sicherungsmuttern an, um die Stützfüße zu sichern.

**HINWEIS**

Die Maschine steht am stabilsten, wenn alle vier Stützfüße vollständig eingeschraubt sind. Nivellieren Sie die Maschine daher, indem Sie alle Stützfüße vollständig eindrehen, bevor Sie die entsprechenden Füße zur Stabilisierung der Maschine wieder herausdrehen.

### Einstellen der vertikalen Sitzposition

Die vertikale Sitzposition kann durch Einstellen des Sitzes auf die erforderliche Position eingestellt werden.

- Lösen Sie den Sitzeinstellknopf.
  - Bewegen Sie den Sitz in die erforderliche Position.
- Ziehen Sie den Sitzeinstellknopf an.

## Trainings

Das Training muss leicht und geeignet, aber von langer Dauer sein. AerobicÜbungen basieren auf der Verbesserung der maximalen Sauerstoffaufnahme des Körpers, was wiederum die Ausdauer und Fitness verbessert. Sie sollten während des Trainings zwar ins Schwitzen, aber nicht außer Atem kommen. Um eine Basisfitness zu erreichen und zu halten, üben Sie mindestens drei mal pro Woche 30 Minuten lang an einem Stück. Erhöhen Sie die Anzahl der Übungssitzungen, um Ihre Fitness zu verbessern. Es lohnt sich, die regelmäßigen Übungen mit einer gesunden Diät zu kombinieren. Personen, die Diät machen, sollten täglich zuerst 30 Minuten oder weniger an einem Stück üben und die tägliche Trainingszeit allmählich auf eine Stunde verlängern. Beginnen Sie Ihr Training mit niedriger Geschwindigkeit und geringem Widerstand, um zu vermeiden, dass das Herzkreislaufsystem einer übermäßigen Belastung ausgesetzt wird. Mit sich verbessernder Fitness können Geschwindigkeit und Widerstand allmählich erhöht werden. Die Wirksamkeit Ihrer Übungen kann durch Überwachung der Herzfrequenz und Ihrer Pulsfrequenz gemessen werden.

### Pulsfrequenzmessung

#### (Handpulssensoren)

Die Pulsfrequenz wird durch Sensoren in den Handgriffen gemessen, wenn der Benutzer beide Sensoren gleichzeitig anfasst.



#### WARNUNG

Herzfrequenz-Überwachungssysteme können ungenau sein. Eine Überanstrengung kann zu schweren Schädigungen oder zum Tod führen. Wenn Sie sich schwach oder ohnmächtig fühlen, stellen Sie die Übungen unverzüglich ein.

Die genaueste Pulsmessung wird erzielt, wenn die Haut etwas feucht ist und die Handpulssensoren konstant berührt werden. Ist die Haut zu trocken oder zu feucht, kann die Pulsfrequenzmessung weniger genau ausfallen.



#### HINWEIS

Verwenden Sie die Handpulssensoren nicht in Kombination mit einem Herzfrequenz-Brustgürtel. Wenn Sie sich einen Herzfrequenz-Grenzwert für Ihr Training setzen, ertönt beim Überschreiten ein Signal.

### Herzfrequenzmessung

#### (Herzfrequenz-Brustgürtel)

Die genaueste Herzfrequenzmessung lässt sich mit einem Herzfrequenz-Brustgürtel erzielen. Die Herzfrequenz wird mit einem Herzfrequenzempfänger in Kombination mit einem Herzfrequenz-Sendegürtel gemessen. Für eine genaue Herzfrequenzmessung ist es erforderlich, dass die Elektroden am Sender etwas feucht sind und die Haut konstant berühren. Sind die Elektroden zu trocken oder zu feucht, kann die Herzfrequenzmessung weniger genau ausfallen.



#### HINWEIS

Falls Sie einen Schrittmacher haben, wenden Sie sich zunächst an einen Arzt, bevor Sie einen Herzfrequenz-Brustgürtel verwenden



#### VORSICHT

- Falls sich mehrere Herzfrequenz-Messgeräte in gegenseitiger Nähe befinden, vergewissern Sie sich, dass der Abstand zwischen ihnen mindestens 2 Meter beträgt.
- Falls nur ein Herzfrequenzempfänger und mehrere Herzfrequenzsender vorhanden sind, vergewissern Sie sich, dass nur eine Person mit einem Sender in Sendereichweite ist.



## HINWEIS

- Verwenden Sie keinen Herzfrequenz-Brustgürtel in Kombination mit den Handpulssensoren.
- Tragen Sie den Herzfrequenz-Brustgürtel stets mit direktem Hautkontakt unter Ihrer Kleidung. Tragen Sie den Herzfrequenz-Brustgürtel nicht auf Ihrer Kleidung. Falls Sie den Herzfrequenz-Brustgürtel auf Ihrer Kleidung tragen, gibt es kein Signal.
- Wenn Sie sich einen Herzfrequenz-Grenzwert für Ihr Training setzen, ertönt beim Überschreiten ein Signal.
- Der Sender überträgt die Herzfrequenz in einem Abstand bis zu 1,5 Meter zur Konsole. Sind die Elektroden nicht feucht, erscheint die Herzfrequenz nicht auf der Anzeige.
- Einige Fasern in der Kleidung (z.B. Polyester, Polyamid) erzeugen statische Elektrizität, die eine genaue Herzfrequenzmessung verhindern kann.
- Mobiltelefone, Fernsehgeräte und andere Elektrogeräte erzeugen ein elektromagnetisches Feld, das eine genaue Herzfrequenzmessung verhindern kann.

## Maximale Herzfrequenz

### (während des Trainings)

Die maximale Herzfrequenz ist die höchste Herzfrequenz, die eine Person durch Übungsbelastung sicher erzielen kann. Folgende Formel wird zur Berechnung der durchschnittlichen maximalen Herzfrequenz verwendet:  $220 - \text{ALTER}$ . Die maximale Herzfrequenz variiert von Person zu Person.



## WARNUNG

Stellen Sie sicher, dass Sie während des Trainings Ihre maximale Herzfrequenz nicht überschreiten. Falls Sie einer Risikogruppe angehören, wenden Sie sich an einen Arzt.

**Anfänger: (50-60% der maximalen Herzfrequenz)**

Geeignet für Anfänger, Gewicht-Beobachter, Genesende und Personen, die schon lange nicht mehr trainiert haben. Trainieren Sie mindestens dreimal pro Woche 30 Minuten an einem Stück.

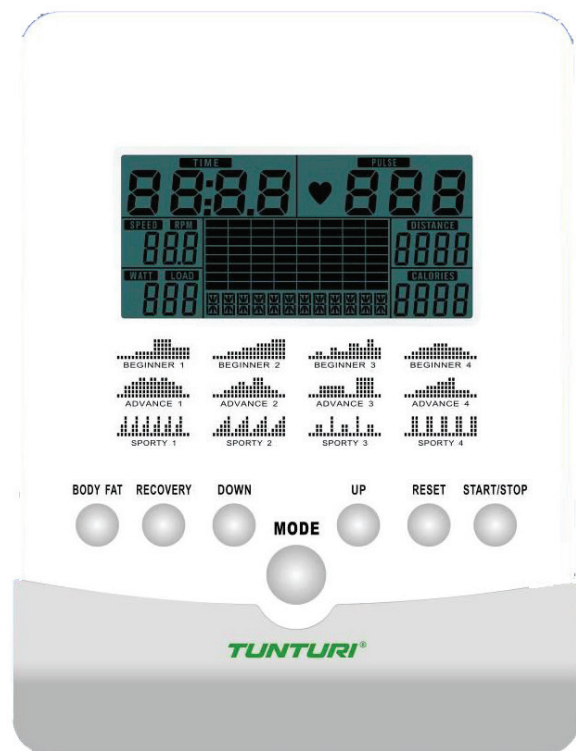
### Fortgeschritten: (60-70% der maximalen Herzfrequenz)

Geeignet für Personen, die ihre Fitness verbessern und halten wollen. Trainieren Sie mindestens dreimal pro Woche 30 Minuten an einem Stück.

### Experte: (70-80% der maximalen Herzfrequenz)

Geeignet für die fittesten Personen, die sich an lange Ausdauertrainings gewöhnt haben.

## User interface



## Display Funktionen

### Time Fenster :

Zeigt Trainingszeit während des Trainings

## Speed Fenster :

Zeigt Geschwindigkeit während des Trainings

## RPM Fenster:

Zeigt Umdrehungen pro Minute während des Trainings

## Pulse Fenster:

Zeigt Herzfrequenz in bpm während des Trainings .

## Distance Fenster:

Zeigt Abstand während des Trainings

## Calories Fenster:

Zeigt verbrannte Kalorien während des Trainings

## Key Funktionen

### Total reset :

Konsole herstartet in den Fabriks-Einstellungen.

### Recovery Taste :

Test Status vom Herzfrequenz Wiederherstellung

### Down Taste :

Im Setting - niedrigeren Wert einstellen.

### Mode Taste:

Bestätigung der Einstellung oder Auswahl

### Up Taste:

Im Setting - höheren Wert einstellen.

### Reset Taste:

**Zum Resetten ins Hauptmenu (alle angezeigte Daten werden gelöscht)**  
Taste 2 Sekunden eindrücken.

### Start/ stop Taste:

Start Training wenn im Ruhemodus.  
Stop / pause wenn das Training im aktiv-Modus ist.

## Extra Funktionen

- Wählen Sie Geschwindigkeit/ Distanz Einheiten - Metrisch / Imperial mithilfe des Schalters an der

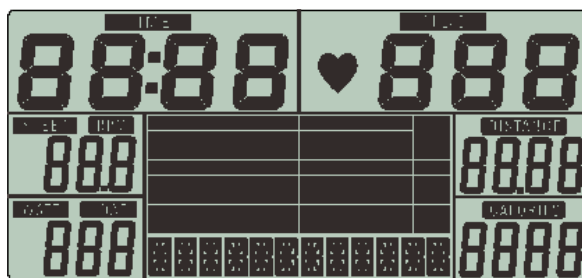
Rückseite der Konsole .

Batterien müssen neu eingesetzt werden um die Änderung zu speichern.

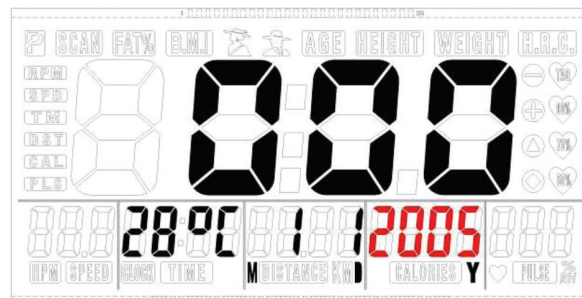
- Wählen Sie die Temperatureinheit mithilfe des Schalters C/F an der Rückseite der Konsole . Batterien müssen neu eingesetzt werden um die Änderung zu speichern.
- Scan Symbol wird in der oberen linken Ecke angezeigt wenn die Konsole im Scan-Modus eingestellt ist. Sie können den Scan-Modus ein- und ausschalten durch die Enter-Taste im Trainings Programm umzuschalten e.
- Wenn ein oder mehrere Ziele eingestellt werden wird der Zielwert angezeigt und gezählt bis "0"erreicht wird.
- Die Konsole funktioniert mit 2x1.5V AA Batterien auf der Rückseite der Konsole.

## Einschalten

Drücke und halte die "reset" Taste 3 Sekunde und die Konsole wird eingeschaltet. Alle Segmente auf dem Display werden 2 Sekunden angezeigt.



Presse die Up/ Down Taste um den Kalender und die Zeiteinstellung richtig einzustellen. Drücken sie die Mode Taste zur Bestätigung.



**Bemerkung:**

Nach 4 Minuten ohne "Bewegung" oder Dateneingang wird die Konsole im Energie-Modus schalten.

Drücken Sie eine Taste um die Konsole wieder einzuschalten.

## Programme

- Schalten Sie die Konsole an oder benutze die Reset Funktion um zurück zum Hauptmenü zu gehen.
- Drücken Sie Up oder Down-Taste, selektiere Workout-Programm.
- Verfügbare Programme sind: Kurzanleitung, Manual, Beginner, Advance, Sporty, Cardio und Watt Programm.

### MANUELLER MODUS



Für Schnell-start;

- drücken Sie Start/Stop-Taste um das Training ohne jede Voreinstellung zu starten.

Während des Trainings können Sie die Up/Down-Taste drücken um den Widerstand einzustellen.

Schnellstart-Modus wird beendet, wenn der Trainer, länger als 4 Minuten keine Eingabe bekommt oder beim eindrücken der Start/Stop-Taste.

Wenn Sie den manuellen Modus einstellen möchten müssen Sie;

- Drücken Sie Up/Down-Taste, um den manuellen Modus zu wählen und drücken Sie die Mode Taste für das nächste Eingabefeld vom manuellen Programm.

- Drücken Sie die Up/Down-Taste, um die voreingestellte Trainingszeit einzustellen und drücken Sie die Mode-Taste, um die Einstellung zu bestätigen.

**Bemerkung:**

Wenn Sie mehr als ein Ziel festlegen, endet das Training am ersten erzielten Ziel.

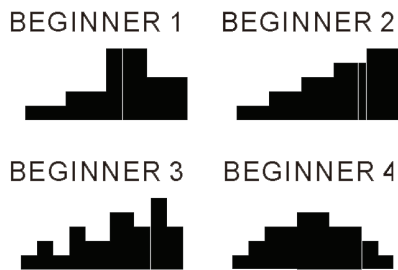
Wenn ein Ziel leer gelassen wird, wird es nicht als Ziel gesehen werden, und ist daher keinen voreingestellten Grenzwert.

- Drücken Sie Start/Stop-Taste, um das Training zu starten.
- Drücken Sie Up/Down Taste, um den Widerstand zu regulieren.
- Drücken Sie Start / stop-Taste um das Training zu unterbrechen.
- Drücken Sie die Reset- Taste um zum Hauptmenü zurückzukehren. (aktive Trainingsdaten werden gelöscht).

### Beginner Modus



- Drücken Sie die Up/Down-Taste, wählen Sie Workout-Programm, wählen Sie Beginner Modus und drücken Sie die Mode Taste um das. nächste Einstellungsmenü für Beginner -Modus.einzugeben.
- Es können 4 Beginner-Modi ausgewählt werden: Beginner 1, Beginner 2, Beginner 3 und Beginner 4. Wählen Sie eine mithilfe von Up/ Down Taste und bestätigen Sie durch drücken der Mode-Taste.



- Drücken Sie die Up/Down-Taste, um die voreingestellte Trainingszeit einzustellen und drücken Sie die Mode-Taste, um die Einstellung zu bestätigen.
- Nach bestätigen können Sie auch : Entfernung, Kalorien und Puls einstellen.



**Bemerkung:**

Wenn Sie mehr als ein Ziel festlegen, endet das Training am ersten erzielten Ziel.

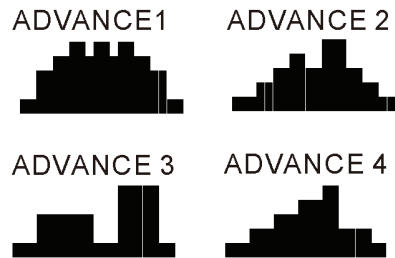
- Drücken Sie Start/Stop-Taste, um das Training zu starten.
- Drücken Sie die Up/Down Taste um den Widerstand zu regulieren.
- Drücken Sie die Reset- Taste um zum Hauptmenü zurückzukehren. (aktive Trainingsdaten werden gelöscht).

**Advance Modus**



- Drücken Sie die Up/Down-Taste, wählen Sie Workout-Programm, wählen Sie Advance Modus und drücken Sie die Mode Taste um das. nächste Einstellungsmenü für Beginner -Modus.einzugeben.

- Es können 4 Advance Modi ausgewählt werden: Advance 1, Advance 2, Advance 3 und Advance 4. Wählen Sie eine mithilfe von Up/ Down Taste und bestätigen Sie durch drücken der Mode-Taste.



- Drücken Sie die Up/Down-Taste, um die voreingestellte Trainingszeit einzustellen und drücken Sie die Mode-Taste, um die Einstellung zu bestätigen.
- Nach bestätigen können Sie auch : Entfernung, Kalorien und Puls einstellen.



**Bemerkung:**

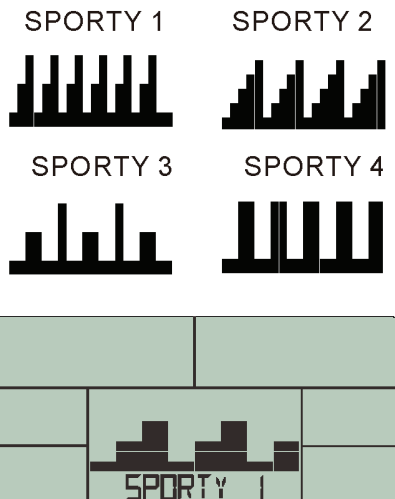
Wenn Sie mehr als ein Ziel festlegen, endet das Training am ersten erzielten Ziel.

- Drücken Sie Start/Stop-Taste, um das Training zu starten.
- Drücken Sie die Up/Down Taste um den Widerstand zu regulieren.
- Drücken Sie die Reset- Taste um zum Hauptmenü zurückzukehren. (aktive Trainingsdaten werden gelöscht).

**Sporty Modus**



- Drücken Sie die Up/Down-Taste, wählen Sie Workout-Programm, wählen Sie Sporty Modus und drücken Sie die Mode Taste um das nächste Einstellungsmenü für Beginner -Modus einzugeben.
- Es können 4 Sporty Modi ausgewählt werden: Sporty 1, Sporty 2, Sporty 3 und Sporty 4. Wählen Sie eine mithilfe von Up/Down Taste und bestätigen Sie durch drücken der Mode-Taste.



- Drücken Sie die Up/Down-Taste, um die voreingestellte Trainingszeit einzustellen und drücken Sie die Mode-Taste, um die Einstellung zu bestätigen.
- Nach bestätigen können Sie auch : Entfernung, Kalorien und Puls einstellen.



### Bemerkung:

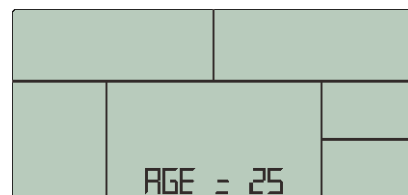
Wenn Sie mehr als ein Ziel festlegen, endet das Training am ersten erzielten Ziel.

- Drücken Sie Start/Stop-Taste, um das Training zu starten.
- Drücken Sie die Up/Down Taste um den Widerstand zu regulieren.
- Drücken Sie die Reset- Taste um zum Hauptmenü zurückzukehren. (aktive Trainingsdaten werden gelöscht).

## Cardio Modus



- Drücken Sie die Up/Down-Taste, um das Programm zu wählen. Wählen Sie Cardio Modus. Drücken Sie die Mode Taste für das nächste Einstellungsmenü.
- Drücken Sie die Up/Down Taste zum Festlegen ihres Alters und bestätigen Sie durch Drücken der Mode Taste.



Es können 4 Cardio-Modi ausgewählt werden: 55%, 75%, 90% or TAG (Ziel Herzfrequenz). Standard ist 100. Wählen Sie eine mithilfe von Up/Down Taste und bestätigen Sie durch drücken der Mode Taste.



- Drücken Sie Up/Down Taste und selektieren Sie eine voreingestellte Trainingszeit, bestätigen mit Mode Taste.
- Drücken Sie Start/Stop Taste um das Training zu unterbrechen.
- Drücken Sie die Reset-Taste um zum Hauptmenü zurückzukehren. (aktive Trainingsdaten werden gelöscht).



**Bemerkung:** Nach 6 Sekunden ohne Pulse Eingabe, wird das LCD "Puls Input" anzeigen um den Benutzer zu warnen.

### Watt Modus



- Drücken Sie Up/Down Taste und selektieren Sie ein voreingestelltes Programm, Drücke Mode Taste für das nächste Einstellungsmenu.
- Drücken Sie die Up/Down Taste und stellen Sie ein Watt Ziel (Standard ist 120) bestätigen mit Mode Taste.



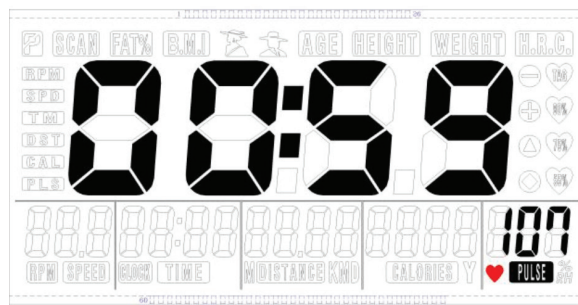
- Drücken Sie Up/ Down Taste und selektieren Sie eine voreingestellte Trainingszeit, bestätigen mit Mode Taste.
- Die Konsole wird den Widerstand anpassen zum Widerstand um das Watt Ziel und Trainings Status.



- Sie können das Watt-Ziel während des Trainings, mit der Up/ Down Taste, ändern.
- Drücken Sie Start/Stop Taste um das Training zu unterbrechen.
- Drücken Sie die Reset-Taste um zum Hauptmenü zurückzukehren. (aktive Trainingsdaten werden gelöscht).

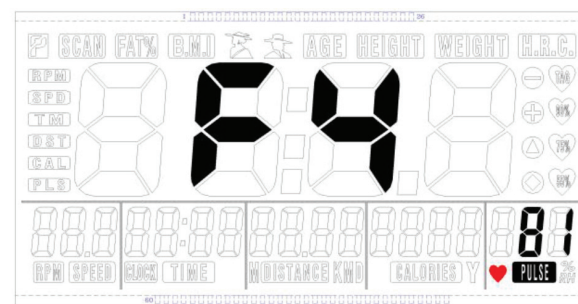
### Recovery

- Nach dem Training, die Handgrif-Sensore festhalten. Bis die Aktuelle Herzfrequenz angezeigt wird
- Drücken Sie den Recovery Taste und platzieren Sie die Hände auf die Handgrif-Sensore
- Alle Funktionen werden gestoppt außer "TIME" diese wird runterzählen von 00:60 bis 00:00.



- Das LCD wird Ihre Herzfrequenz Erholung mit F1, F2...to F6.

F1 ist das beste Resultat und F6 die schlechteste drücken Sie die RECOVERY Taste nochmals um zurückzukehren ins Hauptmenu



#### HINWEIS

Während der Erholung – nochmals "RECOVERY" eindrücken – Konsole zurück zur vorige Seite.

#### Bemerkung:

Der Erholungs-Index ist in Bezug auf die Herzfrequenz-Frequenz am Anfang und Ende der Messung.



## Body fat

Stopp Modus – drücken Sie den Taste Body Fat um diese Funktion zu starten

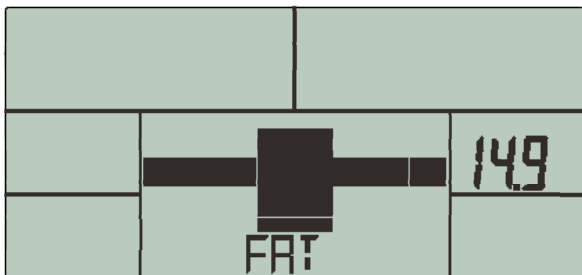
- Lege Geschlecht ein durch Up/Down tasten einzudrücken – bestätigen mit dem „Mode“ Taste zu drücken
- Lege Alter ein durch Up/Down tasten einzudrücken – bestätigen mit dem „Mode“ Knop
- Lege Körpergröße ein durch Up/Down tasten einzudrücken – bestätigen mit dem „Mode“ Knop
- Lege Gewicht ein durch Up/Down tasten einzudrücken – bestätigen mit dem „Mode“ Knop

Nach Eingabe und Bestätigung, bitte Handgriff-Sensore festhalten



### HINWEIS

Wenn die Handgriff-Sensore nicht richtig benutzt werden, dann kann die Konsole keine Werte Zeigen “---- “ “ ----”.



### HINWEIS

Body Fat Programm sind:  
 LCD zeigt “---- “ “ ----”:  
 Handgriffe suchen nach Werte  
 E1: Keine Herzfrequenz gemessen in den letzten 5 Sekunden .  
 E4: wenn FET% ist unter 5% oder über 50%. wenn BMI ist unter 5 oder über 50.

## Reinigung und Wartung

### Störungen und Fehlfunktionen

Trotz ständiger Qualitätskontrolle können durch Einzelteile verursachte Störungen und Fehlfunktionen am Gerät auftreten. In den meisten Fällen ist es ausreichend, das defekte Teil zu erneuern.

- Falls das Gerät nicht ordnungsgemäß funktioniert, wenden Sie sich unverzüglich an den Händler.
- Nennen Sie dem Händler Modell- und Seriennummer des Geräts. Schildern Sie die Art des Problems, die Gebrauchsbedingungen und das Kaufdatum.

## Transport und Lagerung



### WARNUNG

Tragen und bewegen Sie das Gerät mit mindestens zwei Personen.

- Bleiben Sie vor dem Gerät auf beiden Seiten und halten Sie die Handgriffe sicher fest. Heben Sie die Vorderseite des Geräts an, damit die Hinterseite auf die Räder gehoben wird. Bewegen Sie das Gerät und setzen Sie es vorsichtig ab. Stellen Sie das Gerät auf eine schützende Unterlage, um Schäden am Bodenbelag zu vermeiden.
- Bewegen Sie das Gerät vorsichtig über unebene Böden. Bewegen Sie das Gerät nicht auf den Rädern Treppen herauf, sondern tragen Sie es an den Handgriffen.
- Lagern Sie das Gerät an einem trockenen Ort mit möglichst wenig Temperaturschwankungen.

## Garantie

Die Garantie des Produkts beginnt ab dem Kaufdatum (muss durch Rechnung oder Lieferschein belegt werden). Weitere Informationen über Garantiebedingungen erhalten Sie bei Ihrem regionalen Händler. Die Garantiebedingungen können von Land zu Land variieren. Durch normalen Verschleiß, Überlastung oder falsche Handhabung verursachte Schäden sind von der Garantie ausgenommen. Durch Material- oder Fertigungsfehler verursachte Schäden sind von der Garantie abgedeckt und werden kostenlos instandgesetzt.

## Haftungsausschluss

2014 Tunturi New Fitness BV  
Alle Rechte vorbehalten.

Produkt und Handbuch können geändert werden. Die technischen Daten können ohne Vorankündigung geändert werden.

## Index

Français.....	27
<b>Bienvenue .....</b>	<b>27</b>
<b>Avertissements de .....</b>	<b>27</b>
<b>sécurité.....</b>	<b>27</b>
Sécurité électrique .....	28
<b>Assemblage .....</b>	<b>29</b>
parties sur la boîte .....	29
Kit de matériel.....	29
Assemblage.....	29
Étapes d'assemblage .....	29
<b>Usage.....</b>	<b>31</b>
Réglage des pieds de support.....	31
Réglage de la position verticale de la selle .....	31
<b>Exercices.....</b>	<b>31</b>
Mesure du pouls .....	32
Mesure de la fréquence cardiaque ....	32
Fréquence cardiaque maximum .....	33
<b>Interface de l'utilisateur .....</b>	<b>33</b>
Fonctions de l'écran .....	33
Fonctions des touches :.....	34
Fonctions supplémentaires.....	34
Mise sous tension .....	34
<b>Programmes .....</b>	<b>35</b>
Manual mode.....	35
Beginner Mode .....	35
Advance Mode .....	36
Sporty Mode .....	37
Cardio Mode .....	37
Watt Mode .....	38
Recovery .....	38
Body fat .....	39
<b>Nettoyage et maintenance .....</b>	<b>40</b>
<b>Transport et rangement .....</b>	<b>40</b>
<b>Garantie.....</b>	<b>40</b>
<b>Limite de responsabilité .....</b>	<b>40</b>
<b>Specifications .....</b>	<b>54</b>
Parts list.....	56
Exploded view .....	57
Notes .....	59
Notes .....	60

## Français

Ce manuel français est une traduction de la version anglaise. Notez que la version anglaise est en tête dans le contenu lorsque des différences sont trouvées.

## Bienvenue

Bienvenue dans l'univers de Tunturi New Fitness ! Merci pour votre achat de cet élément d'équipement Tunturi. Tunturi offre toute une gamme d'équipements de fitness professionnels, notamment des vélos elliptiques, tapis de course, vélos d'appartement, rameurs et plateformes vibrantes. Les équipements Tunturi sont parfaits pour toute la famille, quel que soit le niveau de forme de ses membres. Pour en savoir plus, visitez notre site Web [www.tunturi.com](http://www.tunturi.com)

## Avertissements de sécurité



### AVERTISSEMENT

Lisez les avertissements de sécurité et les instructions. Le non-respect des avertissements de sécurité et des instructions est une source de blessure et de dégâts de l'équipement. Conservez les avertissements de sécurité et les instructions pour référence ultérieure.



### AVERTISSEMENT

Les systèmes de suivi de la fréquence cardiaque peuvent être inexacts. Un exercice excessif peut entraîner des blessures graves voire mortelles. Si vous vous sentez défaillir, interrompez immédiatement l'exercice.

- L'équipement est adapté à un usage domestique et professionnel uniquement (par ex. hôpitaux, caserne de pompiers, hôtels, écoles, etc.). La durée d'utilisation maximum est limitée à 6 heures par jour. L'équipement n'est pas adapté à un usage commercial complet (par ex. grands centres de gym).
- L'emploi de cet équipement par des enfants ou des personnes affectés d'un handicap physique, sensoriel, mental ou moteur, voire dont l'expérience ou les connaissances

s'avèrent insuffisantes est une source de risques. Les personnes chargées de leur sécurité doivent leur fournir des instructions explicites ou superviser leur usage de l'équipement.

- Avant de commencer vos exercices, effectuez un bilan de santé auprès d'un médecin.
- Si vous êtes pris de nausées ou de vertiges ou sentez d'autres symptômes anormaux pendant l'entraînement, interrompez immédiatement la session et consultez votre médecin.
- Afin d'éviter toutes douleurs et tensions musculaires, commencez vos séances par des échauffements et terminez-les par une récupération. N'oubliez pas de vous étirer après vos exercices.
- L'équipement est uniquement adapté à un usage intérieur. L'équipement ne convient pas à un usage extérieur.
- Utilisez l'équipement uniquement dans des environnements correctement ventilés. N'utilisez pas l'équipement dans des endroits exposés aux courants d'air afin de ne pas vous enrhumers.
- Utilisez l'équipement uniquement à une température ambiante entre 10 °C et 35 °C. Rangez l'équipement uniquement à une température ambiante entre 5 °C et 45 °C.
- N'utilisez et ne rangez pas l'équipement dans un environnement humide. L'humidité de l'air ne doit jamais dépasser 80 %.
- Utilisez l'équipement uniquement pour son usage prévu. N'utilisez pas l'équipement pour d'autres usages que ceux décrits dans le manuel.
- N'utilisez pas l'équipement si l'une de ses pièces est endommagée ou défectueuse. Si une pièce est endommagée ou défectueuse, contactez votre revendeur.
- Maintenez vos mains, vos pieds et les autres parties de votre corps à l'écart des pièces mobiles.
- Maintenez votre chevelure à l'écart des pièces mobiles.
- Portez des vêtements et des chaussures adaptés.

- Maintenez les vêtements, bijoux et autres objets à l'écart des pièces mobiles.
- Assurez-vous qu'une seule personne utilise l'équipement à la fois. L'équipement ne doit pas être utilisé par des personnes pesant plus de 135 kg (300 lb).
- N'ouvrez pas l'équipement sans consulter votre revendeur.

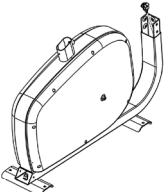
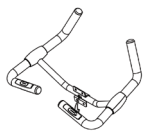
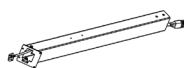
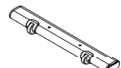
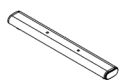





### Sécurité électrique

(uniquement pour les équipements à alimentation électrique)

- Avant usage, assurez-vous toujours que la tension secteur est identique à celle de la plaque signalétique de l'équipement.
- N'utilisez pas de rallonge.
- Maintenez le câble secteur à l'écart de la chaleur, de l'huile et des bords coupants.
- N'altérez et ne modifiez aucunement le câble secteur ou la fiche secteur.
- N'utilisez pas l'équipement si le câble secteur ou la fiche secteur est endommagé ou défectueux. Si le câble secteur ou la fiche secteur est endommagé ou défectueux, contactez votre revendeur.
- Déroulez toujours complètement le câble secteur.
- Ne passez pas le câble secteur sous l'équipement. Ne passez pas le câble secteur sous un tapis. Ne placez aucun objet sur le câble secteur.
- Assurez-vous que le câble secteur ne pend pas sur le bord d'une table. Assurez-vous que le câble secteur ne peut pas être happé par accident ou faire trébucher.
- Ne laissez pas l'équipement sans surveillance si la fiche secteur est insérée dans la prise murale.
- Ne tirez pas sur le câble secteur pour retirer la fiche secteur de la prise murale.
- Retirez la fiche secteur de la prise murale lorsque l'équipement n'est pas utilisé, avant l'assemblage et le démontage et avant le nettoyage et la maintenance.

# Assemblage

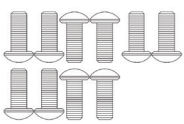

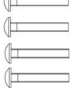


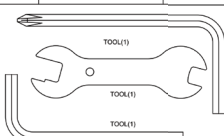
## parties sur la boîte

	1	□ M8X20 ALLEN HEAD BOLT		10	
		○ M8X16X1.2T WASHER		14	
		○ M8 SPRING WASHER		10	
		▬ M8X55 CARRIAGE BOLTS		4	
		⊕ M8 NYLON NUT		4	
	1				
	1				
	1				
	1		1/1		1
	1		1		1

L'emballage contient les pièces illustrées en figure

Si une pièce manque, contactez votre revendeur.

## Kit de matériel

HARDWARE KIT			
			
Allen head bolt M8*20 (10 pcs)	Spring washer M8 (10 pcs)	Carriage bolt M8*55 (4 pcs)	Nylon nut M8 (4 pcs)
			
Flat washer M8*16 (14 pcs)			

L'emballage contient les pièces illustrées en figure

Si une pièce manque, contactez votre revendeur.

## Assemblage

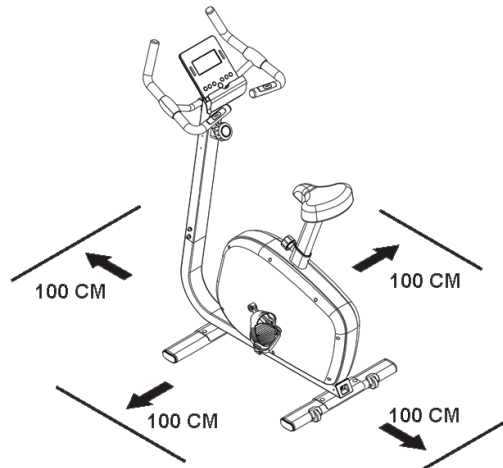
### AVERTISSEMENT

Assemblez l'équipement dans l'ordre indiqué.

Deux personnes au moins sont nécessaires pour transporter et déplacer l'équipement.

### PRÉCAUTION

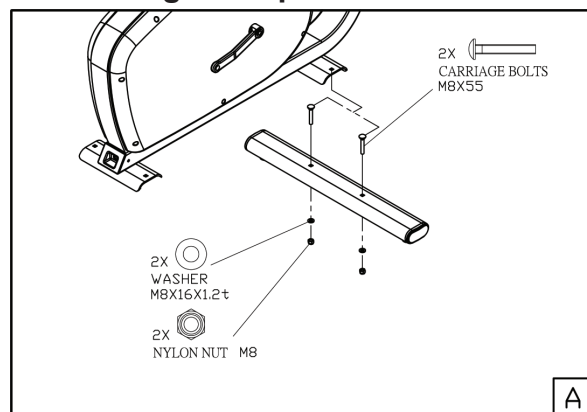
- Placez l'équipement sur une surface plane et ferme.
  - Placez l'équipement sur une base protectrice pour éviter d'endommager la surface du sol.
- Prévoyez un dégagement d'au moins 100 cm autour de l'équipement.



Consultez les illustrations pour l'assemblage correct de l'équipement.

## Étapes d'assemblage

### Assemblage - Étape A

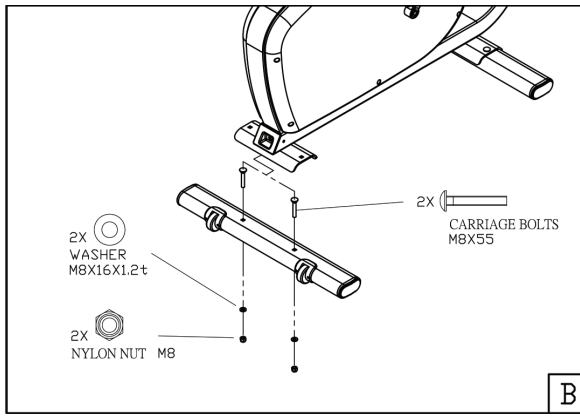


Utiliser le matériel indiqué pour installer le stabilisateur avant.

**Remarque :**

Ne pas oublier de mettre d'abord toutes les vis et tous les boulons en place avant de les serrer complètement.

**Assemblage - Étape B**

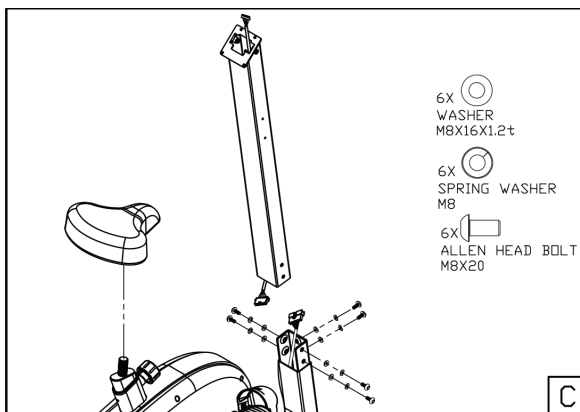


- Utiliser le matériel indiqué pour installer le stabilisateur arrière.

**Remarque :**

Ne pas oublier de mettre d'abord toutes les vis et tous les boulons en place avant de les serrer complètement.

**Assemblage - Étape C**



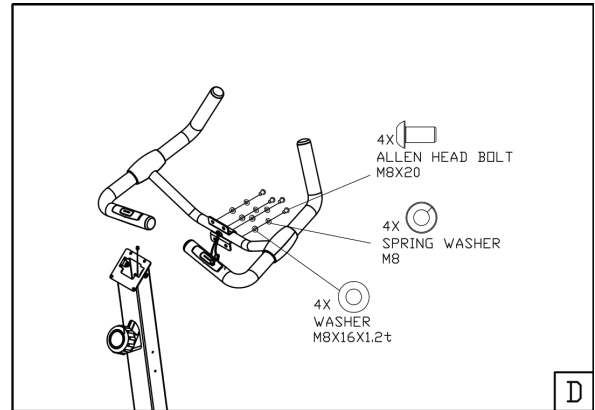
- Raccordez les câbles venant du tube vertical avant de glisser le tube vertical dans sa position.
- Utiliser la clé Allen fournie pour serrer les vis de fixation en les vissant dans le sens des aiguilles d'une montre.

**Remarque :**

Serrer d'abord les 6 vis à la main avant de les serrer complètement. Cela permet d'éviter les erreurs d'alignement.

- Fixer la selle sur la tige de selle.

**Assemblage - Étape D**



Passer les câbles de la poignée cardio fréquencemètre dans les orifices vers l'ouverture de montage de l'afficheur.

**Remarque :**

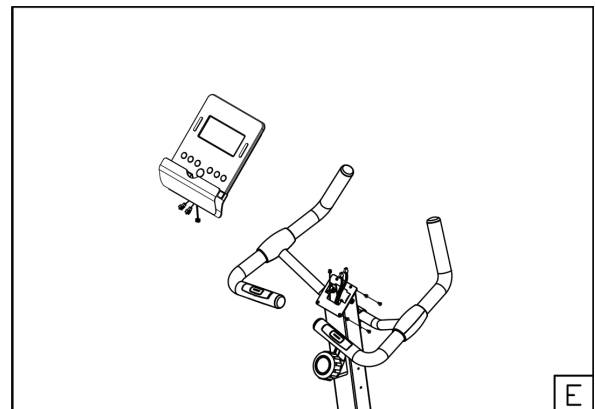
Éviter d'endommager les câbles pendant le montage.

- Installer le guidon dans le tube vertical en utilisant le matériel indiqué.

**Remarque :**

Ne pas oublier de mettre d'abord toutes les vis et tous les boulons en place avant de les serrer complètement.

**Assemblage - Étape E**



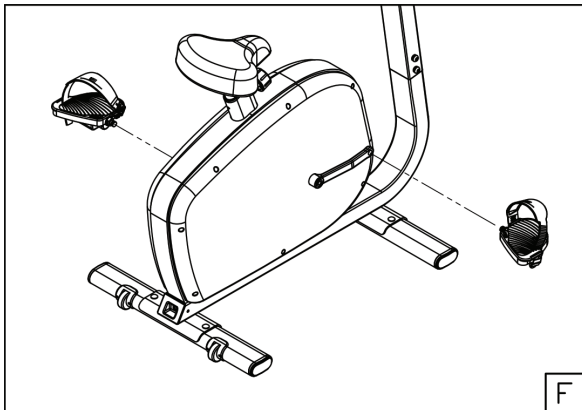
Faire passer les câbles des poignées cardio fréquencemètre venant des poignées et le câble de données venant du tube vertical à travers l'orifice du support de la console.

- Retirer les 4 vis de montage du cache arrière de la console.
- Brancher les câbles des poignées cardio fréquencemètre et le câble de données sur la console.
- Fixer la console sur le support de la console.

**Remarque :**

Éviter d'endommager les câbles pendant le montage.

**Assemblage - Étape F**



**Remarque :**

L'axe de la pédale comporte un repère pour la pédale de droite (R) et de gauche (L).

- Installer la pédale de gauche sur le bras de manivelle en tournant dans le sens inverse des aiguilles d'une montre.
- Installer la pédale de droite sur le bras de manivelle en tournant dans le sens des aiguilles d'une montre.

**Remarque :**

Bien vérifier que les pédales sont complètement serrées.

## Usage

### Réglage des pieds de support

L'équipement comporte 4 pieds de support. Si l'équipement est instable, vous pouvez régler les pieds de support.

- Tournez les pieds de support, selon les besoins, pour placer l'équipement en position stable.
- Serrez les écrous d'arrêt pour bloquer les pieds de support.



**NOTE**

La stabilité de la machine est maximisée lorsque tous les pieds de support sont complètement tournés vers l'intérieur. Vous devez donc commencer à mettre la machine de niveau en tournant tous les pieds de support vers l'intérieur avant de sortir les pieds de support requis pour stabiliser la machine.

### Réglage de la position verticale de la selle

La position verticale de la selle est réglable en amenant le tube de selle à la position requise. Avec la jambe pratiquement droite, la voûte plantaire doit toucher la pédale en son point le plus bas.

- Desserrez le bouton de réglage du tube de selle.
- Amenez le tube de selle à la position requise.
- Serrez le bouton de réglage du tube de selle.

## Exercices

Un exercice doit être suffisamment léger mais prolongé. L'exercice aérobique repose sur l'amélioration de l'absorption maximum d'oxygène par le corps, améliorant à son tour l'endurance et la forme. Vous devez transpirer mais sans jamais être à bout de souffle durant l'exercice. Pour atteindre et entretenir un niveau de forme basique, exercez-vous.

au moins 3 fois par semaine, par session de 30 minutes. Accroissez le nombre des sessions d'exercice pour améliorer votre niveau de forme. Il est profitable de combiner un exercice régulier et un régime sain. Une personne suivant un régime doit s'exercer au quotidien, au début 30 minutes ou moins pour chaque session afin d'accroître ensuite progressivement le temps d'exercice quotidien pour atteindre une heure. Commencez vos exercices à une vitesse lente et avec une faible résistance pour éviter de soumettre le système cardiovasculaire à une contrainte excessive. À mesure de l'amélioration de votre forme, accroissez progressivement la vitesse et la résistance. L'efficacité de votre exercice est mesurable en suivant votre fréquence cardiaque et votre pouls.

### Mesure du pouls (pulsomètres)

Le pouls est mesuré par des capteurs dans les poignées lorsque l'utilisateur touche les deux capteurs à la fois.



#### AVERTISSEMENT

Les systèmes de suivi de la fréquence cardiaque peuvent être inexacts. Un exercice excessif peut entraîner des blessures graves voire mortelles. Si vous vous sentez défaillir, interrompez immédiatement l'exercice.

La mesure la plus précise du pouls nécessite une peau légèrement humide et un contact constant des pulsomètres. Si la peau est trop sèche ou humide, la mesure du pouls peut devenir moins précise.



#### NOTE

N'utilisez pas les pulsomètres en même temps que la sangle thoracique de fréquence cardiaque. Si vous réglez une fréquence cardiaque limite pour votre exercice, une alarme retentit dès qu'elle est dépassée.

### Mesure de la fréquence cardiaque (sangle thoracique de fréquence cardiaque)

La sangle thoracique de fréquence cardiaque assure la mesure de fréquence cardiaque la plus précise. La fréquence cardiaque est mesurée par un récepteur combiné à la sangle thoracique de fréquence cardiaque. Une mesure précise de la fréquence cardiaque nécessite des électrodes de sangle émettrice légèrement humides et en contact constant avec la peau. Si les électrodes sont trop sèches ou humides, la mesure de la fréquence cardiaque peut devenir moins précise.



#### AVERTISSEMENT

Si vous portez un stimulateur cardiaque, consultez votre médecin avant d'utiliser une sangle thoracique de fréquence cardiaque.



#### PRÉCAUTION

Si plusieurs dispositifs de mesure de la fréquence cardiaque sont proches les uns des autres, assurez-vous qu'ils sont au moins distants de 2 mètres.

En présence d'un récepteur unique de fréquence cardiaque pour plusieurs émetteurs, assurez-vous qu'une seule personne avec un émetteur est à portée de transmission.



#### NOTE

- N'utilisez pas les pulsomètres en même temps que la sangle thoracique de fréquence cardiaque.
- Portez toujours la sangle thoracique de fréquence cardiaque sous vos vêtements, en contact direct avec votre peau. Ne portez pas votre sangle thoracique de fréquence cardiaque par-dessus vos vêtements. Si vous portez la sangle thoracique de fréquence cardiaque sur vos vêtements, il n'y a pas de signal.
- Si vous réglez une fréquence cardiaque limite pour votre exercice,



une alarme retentit dès qu'elle est dépassée.

- L'émetteur transmet la fréquence cardiaque à une console jusqu'à une distance de 1,5 mètre. Si les électrodes ne sont pas suffisamment mouillées, votre fréquence cardiaque ne s'affiche pas.
- Certaines fibres des vêtements (par ex. polyester, polyamide) créent de l'électricité statique qui peut empêcher la mesure précise de la fréquence cardiaque.
- Les téléphones portables, télévisions et autres appareils électriques créent un champ électromagnétique susceptible d'empêcher une mesure précise de la fréquence cardiaque.

### Fréquence cardiaque maximum

#### (durant l'exercice)

La fréquence cardiaque maximum est la fréquence la plus élevée qu'une personne peut atteindre en toute sécurité sous la contrainte de l'exercice. La formule suivante sert à calculer la fréquence cardiaque maximum moyenne :  $220 - \text{ÂGE}$  La fréquence cardiaque maximum varie d'une personne à l'autre.



#### AVERTISSEMENT

Assurez-vous de ne pas dépasser votre fréquence cardiaque maximum durant l'exercice. Si vous appartenez à un groupe à risque, consultez un médecin.

#### Débutant: (50-60% de fréquence cardiaque maximum)

Adapté aux débutants, aux personnes suivant leur poids, aux convalescents et aux personnes ne s'exerçant pas depuis un certain temps. Exercez-vous au moins trois fois par semaine, par session de 30 minutes.

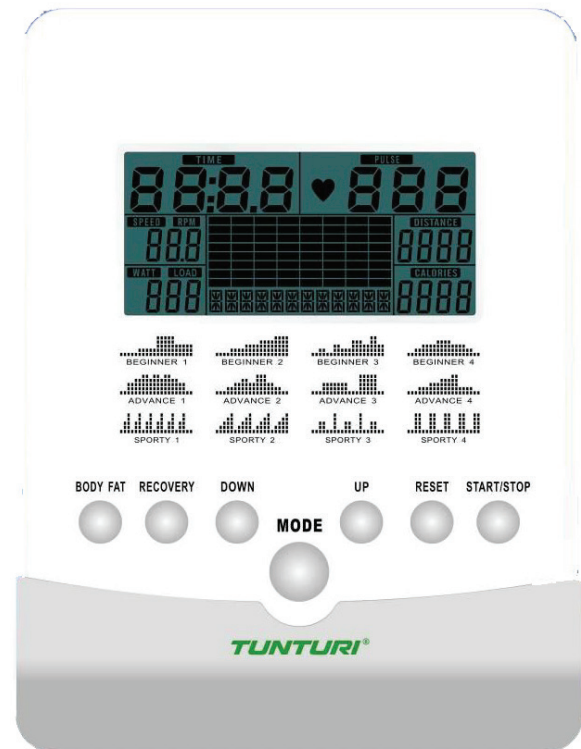
#### Avancé: (60-70% de fréquence cardiaque maximum)

Adapté aux personnes souhaitant améliorer et entretenir leur forme. Exercez-vous au moins trois fois par semaine, par session de 30 minutes.

#### Expert: (70-80% de fréquence cardiaque maximum)

Adapté aux personnes les plus en forme, habituées aux exercices d'endurance prolongés.

## Interface de l'utilisateur



### Fonctions de l'écran

#### Fenêtre Time :

Affiche la durée d'entraînement pendant une séance.

Fourchette : 0:00 ~ 99:59

#### Fenêtre Speed :

Affiche la vitesse réelle pendant une séance.

Fourchette : 0,0 ~ 99,9

#### Fenêtre RPM :

Affiche les tours par minute pendant une séance.

Fourchette : 0 ~ 999.

**Fenêtre Watt :**

Affiche la puissance en watts de l'entraînement pendant une séance. En mode programme Watt, la console affiche la valeur de watts prédéfinie. Fourchette : 0 ~ 350.

**Fenêtre Pulse :**

Affiche le rythme cardiaque en bpm pendant une séance.

**Fenêtre Distance :**

Affiche la distance d'entraînement pendant une séance. Fourchette : 0,0 ~ 99,9

**Fenêtre Calories :**

Affiche les calories brûlées pendant une séance. Fourchette : 0 ~ 999

**Fonctions des touches :**

**Touche Body fat :**

Permet de mesurer la masse grasse en % et l'IMC.

**Touche Recovery :**

Permet de mesurer la capacité de récupération du rythme cardiaque.

**Touche Down :**

Réduit le niveau de résistance pendant l'entraînement. Permet également de réduire une valeur lors de la sélection d'un paramètre.

**Touche Mode :**

Confirme le paramètre ou le choix.

**Touche Up :**

Augmente le niveau de résistance pendant l'entraînement. Permet également d'augmenter une valeur lors de la sélection d'un paramètre.

**Touche Reset :**

En appuyant et maintenant cette touche enfoncée pendant 2 secondes, l'écran redémarre et affiche le menu principal. (toutes les données affichées seront perdues)

**Touche Start/Stop :**

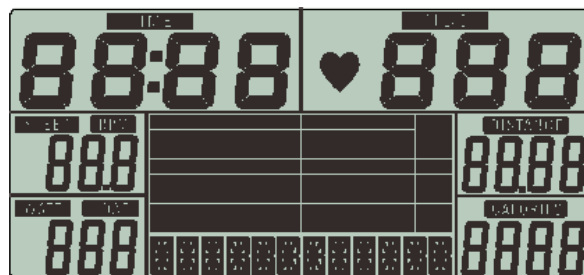
Démarre l'entraînement lorsque la machine est en veille. Met l'entraînement en pause ou l'arrête.

**Fonctions supplémentaires**

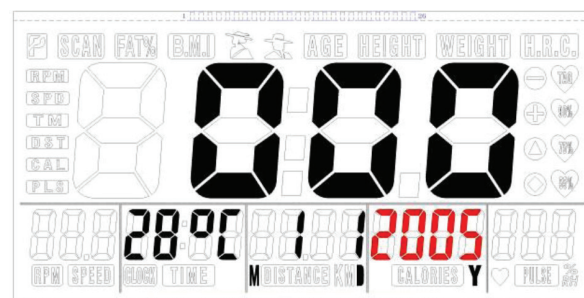
- Sélectionnez les unités de votre choix au moyen du bouton Metric/Imperial situé à l'arrière de la console.
- Si vous fixez un ou plusieurs objectifs, la valeur cible commencera à compter lorsqu'elle atteindra 0.

**Mise sous tension**

En mettant la machine sous tension, l'ordinateur s'allumera et affichera tous les segments sur l'écran pendant 2 secondes.



La console affiche les paramètres d'unités et la version du logiciel installé sur l'écran pendant une seconde avant d'afficher la fenêtre de démarrage.



**Remarque :**

Après 4 minutes sans pédaler ou sans impulsion d'entrée, la console passera en mode veille.

Pour sortir du mode veille, appuyez sur n'importe quelle touche.

## Programmes

- Allumez l'écran ou appuyez sur la touche reset pour accéder au menu principal.
- Appuyez sur les flèches vers le haut ou vers le bas pour sélectionner un programme d'entraînement.
- Les programmes disponibles sont les suivants : Quick start, Manual, beginner, Advance, Sporty, Cardio et Watt.

### Manual mode



Pour Quick start vous pouvez

- appuyer sur la touche Start/ stop pour commencer un entraînement sans configurer aucun paramètre au préalable.

Pendant l'entraînement, appuyez sur les flèches vers le haut/bas pour régler le niveau de résistance.

Le mode Quick start s'arrête lorsque la machine ne reçoit aucun signal pendant plus de 4 minutes ou si l'utilisateur appuie sur la touche Start/Stop.

Si des paramètres en mode manuel sont requis, vous devez

- Appuyer sur les flèches vers le haut/ bas pour sélectionner un programme d'entraînement et appuyer sur la touche mode pour définir le paramètre suivant du programme en mode manuel.
- Appuyer sur les flèches vers le haut/bas pour définir une durée d'entraînement et appuyer sur la touche Mode pour confirmer votre choix.
- Après avoir confirmé, vous pouvez également configurer la distance, les calories et le rythme cardiaque.



### Remarque:

Si vous fixez plusieurs objectifs, l'entraînement s'arrêtera après chaque objectif atteint.

Laissez un objectif vide et il ne sera pas considéré comme une limite prédéfinie.

- Appuyez sur la touche Start/Stop pour commencer l'entraînement.
- Appuyez sur les flèches vers le haut/bas pour régler le niveau de résistance.
- Appuyez sur la touche Start/Stop pour mettre l'entraînement en pause.
- Appuyez sur la touche Reset pour retourner au menu principal. (les données de l'entraînement en cours seront perdues)

### Beginner Mode



- Appuyez sur les flèches vers le haut/bas pour sélectionner un programme d'entraînement. Choisissez le mode beginner et appuyez sur la touche Mode pour définir le paramètre suivant du mode beginner.
- Quatre modes beginner peuvent être sélectionnés : beginner 1, beginner 2, beginner 3 et beginner 4. Sélectionnez l'un des modes à l'aide des flèches vers le haut/ bas et confirmez votre choix en appuyant sur la touche Mode.

BEGINNER 1



BEGINNER 2



BEGINNER 3



BEGINNER 4





- Appuyez sur les flèches vers le haut/bas pour définir une durée d'entraînement et appuyez sur la touche Mode pour confirmer votre choix.
- Après avoir confirmé, vous pouvez également configurer la distance, les calories et le rythme cardiaque.



**Remarque:**

Si vous fixez plusieurs objectifs, l'entraînement s'arrêtera après chaque objectif atteint. Laissez un objectif vide et il ne sera pas considéré comme une limite prédéfinie.

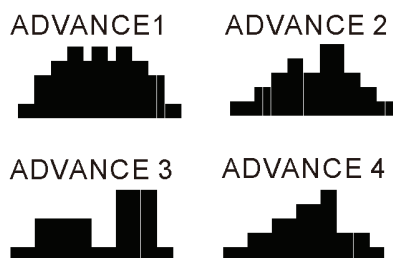
- Appuyez sur la touche Start/Stop pour commencer l'entraînement.
- Appuyez sur les flèches vers le haut/bas pour régler le niveau de résistance.
- Appuyez sur la touche Start/ stop pour mettre l'entraînement en pause.
- Appuyez sur la touche Reset pour retourner au menu principal. (les données de l'entraînement en cours seront perdues)

**Advance Mode**



- Appuyez sur les flèches vers le haut/bas pour sélectionner un programme d'entraînement. Choisissez le mode Advance et appuyez sur la touche Mode pour définir le paramètre suivant du mode beginner.
- Quatre modes Advance peuvent être sélectionnés : Advance 1, advance 2, advance 3 et advance 4. Sélectionnez l'un des modes

à l'aide des flèches vers le haut/bas et confirmez votre choix en appuyant sur la touche Mode.



- Appuyez sur les flèches vers le haut/bas pour définir une durée d'entraînement et appuyez sur la touche Mode pour confirmer votre choix.
- Après avoir confirmé, vous pouvez également configurer la distance, les calories et le rythme cardiaque.



**Remarque:**

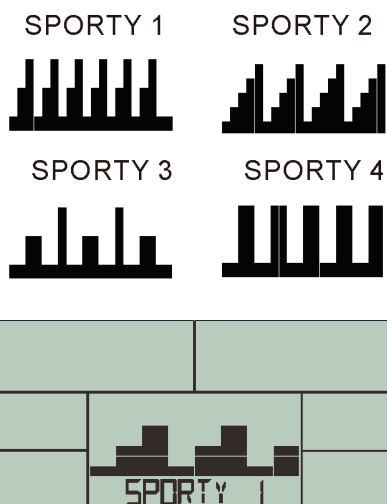
Si vous fixez plusieurs objectifs, l'entraînement s'arrêtera après chaque objectif atteint. Laissez un objectif vide et il ne sera pas considéré comme une limite prédéfinie.

- Appuyez sur la touche Start/Stop pour commencer l'entraînement.
- Appuyez sur les flèches vers le haut/bas pour régler le niveau de résistance.
- Appuyez sur la touche Start/ stop pour mettre l'entraînement en pause.
- Appuyez sur la touche Reset pour retourner au menu principal. (les données de l'entraînement en cours seront perdues)

## Sporty Mode



- Appuyez sur les flèches vers le haut/bas pour sélectionner un programme d'entraînement. Choisissez le mode Sporty et appuyez sur la touche Mode pour définir le paramètre suivant du mode beginner.
- Quatre modes Sporty peuvent être sélectionnés : Sporty 1, sporty 2, sporty 3 et sporty 4. Sélectionnez l'un des modes à l'aide des flèches vers le haut/bas et confirmez votre choix en appuyant sur la touche Mode.



- Appuyez sur les flèches vers le haut/bas pour définir une durée d'entraînement et appuyez sur la touche Mode pour confirmer votre choix.
- Après avoir confirmé, vous pouvez également configurer la distance, les calories et le rythme cardiaque.



### Remarque:

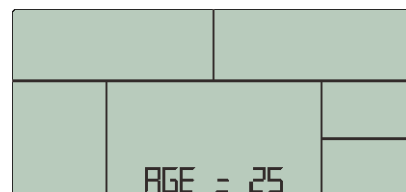
Si vous fixez plusieurs objectifs, l'entraînement s'arrêtera après chaque objectif atteint. Laissez un objectif vide et il ne sera pas considéré comme une limite prédéfinie.

- Appuyez sur la touche Start/Stop pour commencer l'entraînement.
- Appuyez sur les flèches vers le haut/bas pour régler le niveau de résistance.
- Appuyez sur la touche Start/ stop pour mettre l'entraînement en pause.
- Appuyez sur la touche Reset pour retourner au menu principal. (les données de l'entraînement en cours seront perdues)

## Cardio Mode



- Appuyez sur les flèches vers le haut/bas et sélectionnez le mode Cardio. Appuyez ensuite sur la touche Mode pour définir le paramètre suivant du mode Cardio.
- Appuyez sur les flèches vers le haut/bas pour saisir votre âge et confirmez en appuyant sur la touche mode.



Quatre modes Cardio peuvent être sélectionnés : 55%, 75%, 90% ou TAG (rythme cardiaque cible) défini par défaut comme 100 (utilisez les flèches vers le haut/bas pour modifier la valeur et confirmez en appuyant sur la touche mode). Sélectionnez l'un des modes à l'aide des flèches vers le haut/bas et confirmez votre choix en appuyant sur la touche Mode.



- Appuyez sur les flèches vers le haut/bas pour définir une durée

d'entraînement et appuyez sur la touche Mode pour confirmer votre choix.

- Appuyez sur la touche Start/Stop pour mettre l'entraînement en pause.
- Appuyez sur la touche Reset pour retourner au menu principal. (les données de l'entraînement en cours seront perdues)



**Remarque:**

Si le système ne reçoit plus d'impulsion d'entrée pendant 6 secondes, le message "Pulse Input" s'affichera à l'écran pour prévenir l'utilisateur.

**Watt Mode**



- Appuyez sur les flèches vers le haut/bas pour sélectionner un programme d'entraînement. Choisissez le mode watt et appuyez sur la touche Mode pour définir le paramètre suivant du mode Watt.
- Appuyez sur les flèches vers le haut/bas pour définir un objectif de Watts (par défaut la valeur est de 120) et confirmez en appuyant sur la touche mode.



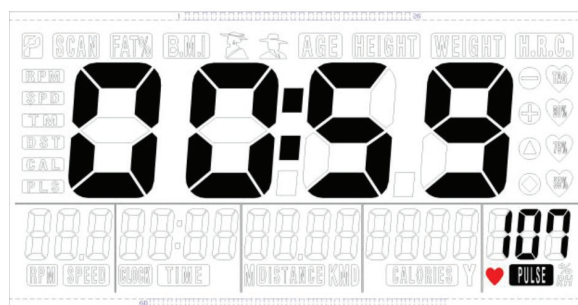
- Appuyez sur les flèches vers le haut/bas pour définir une durée d'entraînement et appuyez sur la touche Mode pour confirmer votre choix.
- La console ajustera le niveau de tension en fonction de l'objectif de watts et de l'état d'entraînement (rpm).



- L'utilisateur peut modifier l'objectif de Watts au moyen des flèches vers le haut/bas au cours de l'entraînement.
- Appuyez sur la touche Start/ stop pour mettre l'entraînement en pause.
- Appuyez sur la touche Reset pour retourner au menu principal. (les données de l'entraînement en cours seront perdues)

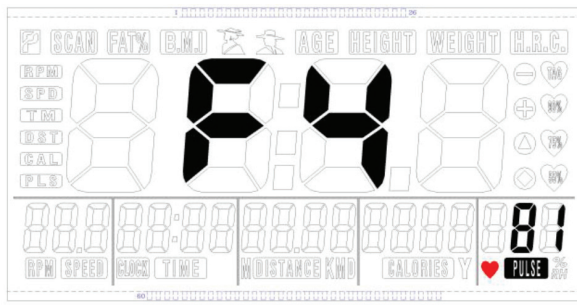
**Recovery**

- À la fin de votre entraînement, saisissez les poignées jusqu'à ce que la lecture de votre pouls réel s'affiche à l'écran.
- Appuyez sur la touche Recovery et saisissez de nouveau les poignées.
- Toutes les fonctions affichées s'arrêteront sauf le temps ("TIME") qui commencera un compte à rebours de 00:60 à 00:00.



- L'écran affichera votre état de récupération de rythme cardiaque avec F1, F2...jusqu'à F6.

F1 est le meilleur résultat et F6, le pire. Appuyez de nouveau sur le bouton RECOVERY pour retourner à l'affichage principal.



### Remarque :

Pendant la période de récupération, appuyez de nouveau sur "RECOVERY" et la console retournera à la page précédente.

### Remarque :

Veillez noter que l'indice de récupération dépend de la fréquence cardiaque à la fois au début et à la fin de la mesure.

## Body fat

En mode arrêt appuyez sur le touche Body fat pour lancer cette fonction.

- Sélectionnez votre sexe à l'aide des flèches vers le haut/bas et confirmez votre choix en appuyant sur la touche Mode.
- Sélectionnez votre âge à l'aide des flèches vers le haut/bas et confirmez votre choix en appuyant sur la touche Mode.
- Sélectionnez votre taille à l'aide des flèches vers le haut/bas et confirmez votre choix en appuyant sur la touche Mode.
- Sélectionnez votre poids à l'aide des flèches vers le haut/bas et confirmez votre choix en appuyant sur la touche Mode.

Après avoir confirmé, saisissez les deux poignées cardio fréquencemètre.

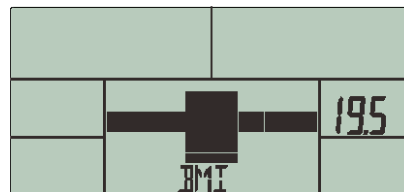
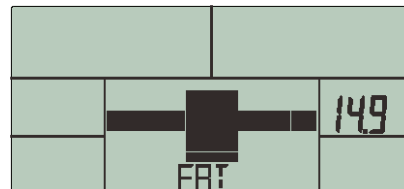


### Remarque :

Si l'utilisateur ne saisit pas bien les poignées, la lecture ne peut être effectuée et le message suivant s'affiche : "---- " " ----". Ressaisissez les poignées cardio fréquencemètre pour recommencer.

Lorsque la console parvient à faire la lecture, l'écran affiche une barre de progression.

Une fois terminé, l'écran affichera un pourcentage correspondant à la masse grasse et un chiffre correspondant à l'IMC, alternativement toutes les 3 secondes.



### Remarque :

Les codes d'erreur du programme Body fat sont les suivants :

L'écran affiche "---- " " ----": les poignées tentent d'effectuer la lecture.  
E1 : Le système ne détecte aucun signal de rythme cardiaque pendant au moins 5 secondes.

E4 : Le pourcentage de masse grasse est en-dessous de 5 % ou au dessus de 50 %. L'IMC est en-dessous de 5 ou au dessus de 50.

## Nettoyage et maintenance

Défauts et dysfonctionnements Malgré un contrôle continu de la qualité, des défauts ou des dysfonctionnements peuvent être occasionnés par des composants individuels. La plupart du temps, il vous suffit de remplacer la pièce défectueuse.

- Si l'équipement ne fonctionne pas correctement, contactez immédiatement le revendeur.
- Fournissez le numéro de modèle et le numéro de série de l'équipement au revendeur. Mentionnez la nature du problème, les conditions d'usage et la date d'achat.

## Transport et rangement



### AVERTISSEMENT

- Deux personnes au moins sont nécessaires pour transporter et déplacer l'équipement.
- En vous tenant devant l'équipement de chaque côté, saisissez fermement ses guidons. Levez l'avant de l'équipement pour que l'arrière repose sur les roues. Déplacez l'équipement et reposez-le prudemment. Placez l'équipement sur une base protectrice pour éviter d'endommager la surface du sol.
- Déplacez prudemment l'équipement sur les surfaces irrégulières. Ne déplacez pas l'équipement sur ses roues pour monter des escaliers mais transportez-le par les guidons.
- Rangez l'équipement dans un endroit sec exposé à des variations de température minimales.

## Garantie

Le produit est sous garantie à compter de sa date de livraison (documentée par la facture ou le bon de livraison). Pour en savoir plus sur les termes de la garantie, contactez votre revendeur. Les termes de la garantie peuvent varier selon le pays. Les dommages liés à l'usure normale, à une surcharge ou à une manipulation incorrecte sont exclus de la garantie. Les dommages liés au matériel ou à la fabrication sont couverts par la garantie et font l'objet d'une réparation ou d'un remplacement à titre gratuit.

## Limite de responsabilité

© 2014 Tunturi New Fitness BV.  
Tous les droits réservés.

Le produit et le manuel sont sujets à modifications. Les spécifications peuvent changer sans préavis.



## Index

<b>Welkom</b> .....	<b>41</b>
<b>Veiligheids</b> .....	<b>41</b>
<b>waarschuwingen</b> .....	<b>41</b>
<b>Assemblage</b> .....	<b>42</b>
Inhoud van de verpakking .....	42
Hardware kit .....	43
Assemblage.....	43
Assemblage stappen.....	43
<b>Gebruik</b> .....	<b>45</b>
afstellen van de steunvoeten.....	45
instellen van de verticale zadelpositie	45
<b>Trainingen</b> .....	<b>45</b>
Hartslagmeting .....	45
Hartslagmeting .....	46
Maximale hartslag .....	46
<b>User interface</b> .....	<b>47</b>
Display functies .....	47
Toets functies.....	47
Extra functies.....	47
Inschakelen .....	48
<b>Programma's</b> .....	<b>48</b>
Manueel mode.....	48
Beginner Mode .....	49
Advance Mode .....	49
Sporty Modus .....	50
Cardio Modus .....	50
Watt Mode .....	51
Recovery .....	51
body fat.....	52
<b>Reiniging en onderhoud</b> .....	<b>53</b>
<b>Transport en opslag</b> .....	<b>53</b>
<b>Garantie</b> .....	<b>53</b>
<b>Disclaimer</b> .....	<b>53</b>
<b>Specifications</b> .....	<b>54</b>
Parts list.....	56
Exploded view .....	57
Notes .....	59
Notes .....	60

### Nederlands

De Nederlandse tekst is een vertaling van de Engelse tekst. Wanneer u verschil aantreft in een taal anders dan de Engelse, dan is de Engelse versie leidend.

## Welkom

Welkom in de wereld van Tunturi New Fitness!

Hartelijk dank voor uw aankoop van dit Tunturi-toestel. Tunturi biedt een grote verscheidenheid aan professionele toestellen zoals crosstrainers, loopbanden, fietstrainers, roeimachines en trilplaten. Het Tunturi-toestel is geschikt voor de hele

familie, onafhankelijk van de conditie. Meer informatie vindt u op de website [www.tunturi.com](http://www.tunturi.com)

## Veiligheids waarschuwingen



### WAARSCHUWING

Lees de veiligheidswaarschuwingen en de instructies. Het niet opvolgen van de veiligheidswaarschuwingen en de instructies kan persoonlijk letsel of beschadiging van het toestel veroorzaken. Bewaar de veiligheidswaarschuwingen en instructies voor toekomstig gebruik.



### WAARSCHUWING

Hartslagbewakingssystemen kunnen onnauwkeurig zijn. Overmatig trainen kan leiden tot ernstig letsel of de dood. Als u zich duizelig voelt, stop dan onmiddellijk met trainen.

- Het toestel is uitsluitend geschikt voor huishoudelijk en professioneel gebruik (bijv. ziekenhuizen, brandweerkazernes, hotels, scholen, etc.). Het maximum gebruik is beperkt tot 6 uur per dag. Het toestel is niet geschikt voor volledig commercieel gebruik (bijv. grote sportscholen).
- Het gebruik van dit toestel door kinderen of personen met fysieke, sensorische, geestelijke of motorische handicaps, of met

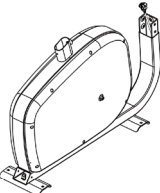





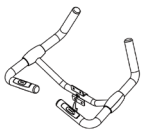
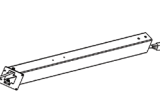
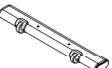






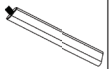
gebrek aan ervaring en kennis kan gevaar veroorzaken. De personen die verantwoordelijk zijn voor hun veiligheid moeten uitdrukkelijke instructies geven of toezicht houden op het gebruik van het toestel.

- Laat uw gezondheid door een arts controleren voordat u met uw training begint.
- Als u misselijkheid, duizeligheid of andere abnormale symptomen ervaart, stop dan onmiddellijk met uw training en raadpleeg een arts.
- Om spierpijn en te zware belasting te voorkomen, moet u elke training beginnen met een warming-up en eindigen met een cooling-down. Vergeet niet om uw spieren te strekken aan het einde van de training.
- Het toestel is uitsluitend geschikt voor gebruik binnenshuis. Het toestel is niet geschikt voor gebruik buitenshuis.
- Gebruik het toestel alleen in een omgeving met voldoende ventilatie. Gebruik het toestel niet in een tochtige omgeving om geen kou te vatten.
- Gebruik het toestel alleen in een omgeving met een omgevingstemperatuur tussen 10 °C en 35 °C. Berg het toestel alleen op bij een omgevingstemperatuur tussen 5 °C en 45 °C.
- Gebruik het toestel niet in een vochtige omgeving. Berg het toestel niet op in een vochtige omgeving. De luchtvochtigheid mag nooit meer zijn dan 80%.
- Gebruik het toestel alleen voor het doel waarvoor het gemaakt is. Gebruik het toestel niet voor andere doelstellingen dan beschreven in de handleiding.
- Gebruik het toestel niet als een onderdeel is beschadigd of niet goed werkt. Raadpleeg uw dealer als een onderdeel is beschadigd of niet goed werkt.
- Houd uw handen, voeten en andere lichaamsdelen uit de buurt van de bewegende delen.
- Houd uw haar uit de buurt van de bewegende delen.

- Draag geschikte kleding en schoenen.
- Houd kleding, sieraden en andere voorwerpen uit de buurt van de bewegende delen.
- Zorg ervoor dat het toestel slechts door één persoon tegelijk wordt gebruikt. Het toestel mag niet worden gebruikt door personen die meer dan 135 kg (300 lbs) wegen.
- Maak het toestel niet open zonder eerst uw dealer te raadplegen.

## Assemblage

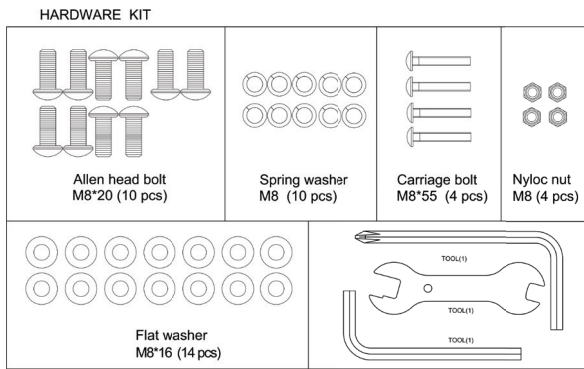
### Inhoud van de verpakking

		 M8X20 ALLEN HEAD BOLT 10	
		 M8X16X1.2T WASHER 14	
		 M8 SPRING WASHER 10	
		 M8X55 CARRIAGE BOLTS 4	
		 M8 NYLON NUT 4	
	1		
	1		
	1		
	1		
	1	 1/1	 1
	1	 1	 1

De verpakking bevat de onderdelen zoals weergegeven in afbeelding.

Raadpleeg uw dealer als een onderdeel ontbreekt..

## Hardware kit



De verpakking bevat de onderdelen zoals weergegeven in afbeelding.

Raadpleeg uw dealer als een onderdeel ontbreekt..

## Assemblage

### WAARSCHUWING

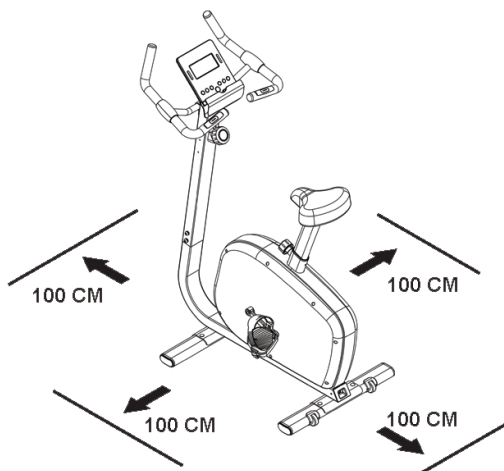
- Monteer het apparaat in de aangegeven volgorde.
- Draag en verplaats het toestel met minstens twee personen.

•

### VOORZICHTIG

- Zet het toestel op een stevige, vlakke ondergrond.
- Zorg voor een beschermende laag onder het toestel om schade aan het vloeroppervlak te voorkomen.

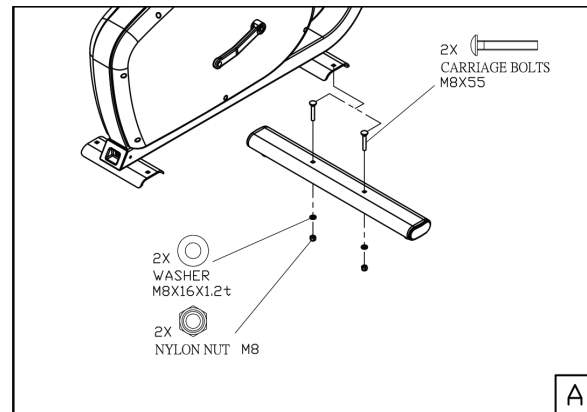
Houd rondom de apparatuur ten minste een bewegingsruimte van 100 cm.



Raadpleeg de illustraties voor de juiste assemblage van het toestel.

## Assemblage stappen

### Assemblage stap A

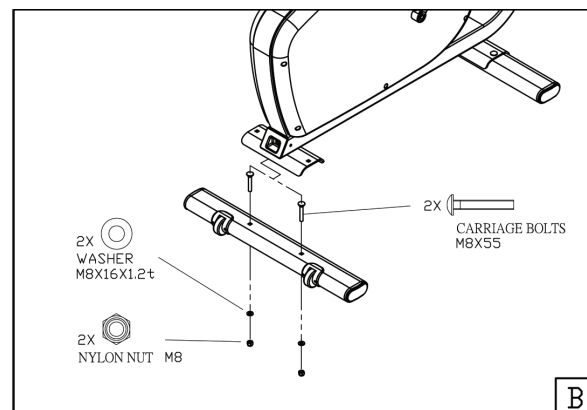


- Monteer de voorste stabilisator door gebruik te maken van de getoonde hardware.

### Opmerking:

Plaats eerst alle schroeven/ bouten voordat u deze volledig vastdraait.

### Assemblage stap B

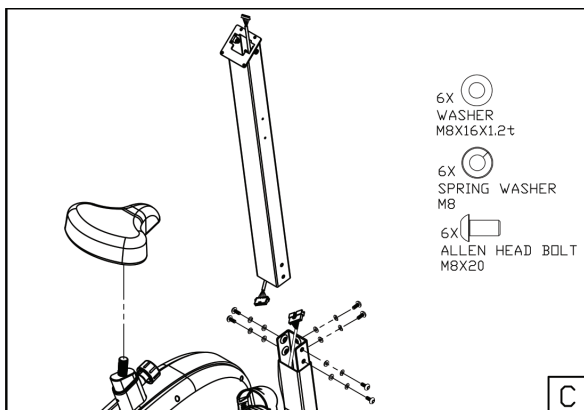


- Monteer de achterste stabilisator door gebruik te maken van de getoonde hardware.

### Opmerking:

Plaats eerst alle schroeven/ bouten voordat u deze volledig vastdraait.

**Assemblage stap C**



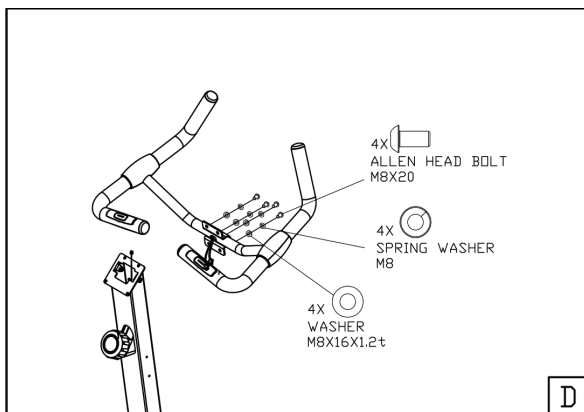
- Sluit de bedrading aan van de stuurbuis naar het frame voordat u de stuurbuis in positie schuift
- Gebruik de bijgevoegde inbussleutel om de schroeven met de klok mee vast te draaien.

**Opmerking:**

Draai eerst de zes bouten handvast voordat u ze volledig vastdraait, dit om verkeerde uitlijning te voorkomen.

- Monteer het zadel op de zadelbuis.

**Montageschritt D**



- Leid de bedrading van de hartslagsensoren door het gat naar de display montage opening..

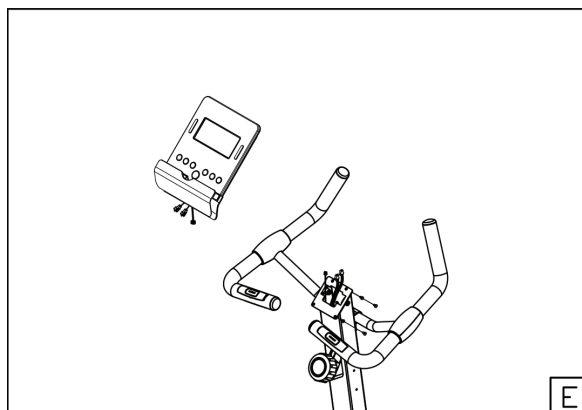
**Opmerking:**

Zorg ervoor dat de bedrading niet beschadigt tijdens montage. Monteer het stuur op de stuurbuis door gebruik te maken van de getoonde hardware.

**Opmerking:**

Plaats eerst alle schroeven/ bouten voordat u deze volledig vastdraait.

**Assemblage stap E**

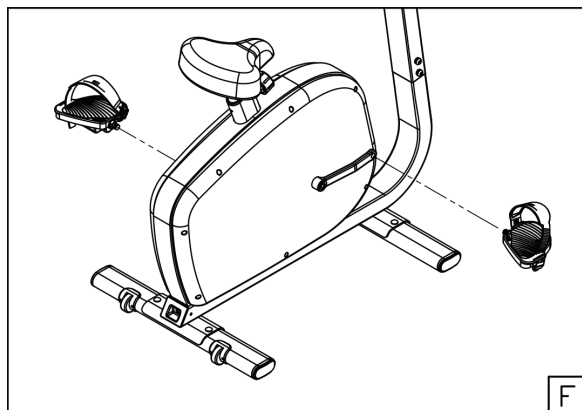


- Leid de bedrading van de hartslagsensoren vanuit het stuur en de data kabel vanuit de stuurbuis door de steun voor de console.
- Verwijder de 4 assemblage schroeven uit de achterkant van de console.
- Sluit de bekabeling van de hartslagsensoren en de data kabel aan op de console.
- Monteer de console op de steun.

**Opmerking:**

Zorg ervoor dat de bedrading niet beschadigt tijdens montage.

**Montageschritt F**



**Opmerking:**

Op de assen van de pedalen staan markeringen voor Rechts (R) en Links (L) aangegeven.

- Monteer het linkerpedaal op de pedaal arm door deze tegen de klok in vast te draaien.
- Monteer het rechterpedaal op de pedaal arm door deze met de klok mee vast te draaien.

**Opmerking:**

Zorg ervoor dat de pedalen volledig vastgedraaid zijn.

## Gebruik

### afstellen van de steunvoeten

Het toestel is voorzien van 4 steunvoeten. Als het toestel niet stabiel is, kunnen de steunvoeten worden versteld.

- Draai de steunvoeten zo ver in of uit als nodig is om het toestel in een stabiele positie te krijgen.
- Draai de borgmoeren vast om de steunvoeten te vergrendelen.



#### LET OP

Het toestel is het meest stabiel wanneer alle steunvoeten volledig zijn ingedraaid. Nivelleer het toestel eerst door alle steunvoeten volledig in te draaien alvorens de nodige steunvoeten uit te draaien om het toestel te stabiliseren.

### instellen van de verticale zadelpositie

De verticale zadelpositie kan worden ingesteld door het zadel in de gewenste positie te zetten.

Draai de stelknop voor de zadelpen los. Zet de zadelpen in de gewenste positie. Draai de stelknop voor de zadelpen vast.

## Trainingen

De training moet licht genoeg zijn, maar wel langdurig. Aerobische training is gebaseerd op verbetering van de maximale zuurstofopname van het lichaam, die dan het uithoudingsvermogen en de conditie weer verbetert. U moet tijdens de training wel transpireren, maar u mag niet buiten adem raken. Voor het bereiken en in stand houden van een basisconditie moet u minstens drie keer per week steeds 30 minuten trainen. Verhoog het aantal trainingssessies ter verbetering van uw conditie. Het is de moeite waard om regelmatige lichaamsbeweging met gezonde voeding te combineren. Iemand die zich goed aan een dieet houdt, zou elke dag moeten trainen te beginnen met 30 minuten of korter, en de dagelijkse trainingsduur geleidelijk opvoeren tot één uur. Begin uw training bij een lage snelheid en een lage weerstand om te voorkomen dat uw hart en bloedvaten te sterk belast worden. Naarmate uw conditie verbetert, kunnen snelheid en weerstand geleidelijk worden verhoogd. De doelmatigheid van uw training kan worden gemeten door uw hartslag.

### Hartslagmeting

#### (handgreepsensoren)

De hartslag wordt gemeten door sensoren in de handgrepen wanneer de gebruiker beide sensoren tegelijkertijd aanraakt.



#### WAARSCHUWING

Hartslagbewakingssystemen kunnen onnauwkeurig zijn. Overmatig trainen kan leiden tot ernstig letsel of de dood. Als u zich duizelig voelt, stop dan onmiddellijk met trainen.

Voor de meest nauwkeurige hartslagmeting moet de huid enigszins vochtig zijn en moet u de handgreepsensoren voortdurend aanraken. Bij een te droge of te vochtige huid kan de hartslagmeting minder nauwkeurig worden.



**LET OP**

Gebruik de handgreepsensoren niet in combinatie met een hartslagborstband. Als u een hartslaglimiet hebt ingesteld voor uw training, klinkt er een alarm wanneer deze wordt overschreden.

**Hartslagmeting**

**(hartslagborstband)**

De meest nauwkeurige hartslagmeting wordt bereikt met een hartslagborstband. De hartslag wordt gemeten met een hartslagontvanger in combinatie met een band die de hartslag verzendt. Voor een nauwkeurige hartslagmeting moeten de elektroden op de borstband enigszins vochtig zijn en de huid constant aanraken. Bij te droge of te natte elektroden kan de hartslagmeting minder nauwkeurig worden.



**WAARSCHUWING**

Als u een pacemaker hebt, moet u het eerst met uw dokter bespreken voordat u een hartslagborstband gebruikt.



**VOORZICHTIG**

Als er verscheidene hartslagmeetapparaten naast elkaar staan, zorg er dan voor dat de tussenafstand minstens 2 meter is.

Als er slechts één hartslagontvanger en verscheidene hartslagzenders zijn, zorg dan dat er slechts één persoon met een zender in het zendbereik is.



**LET OP**

- Gebruik de hartslagborstband niet in combinatie met de handgreepsensoren.
- Draag de hartslagborstband altijd onder uw kleding, direct op uw huid. Draag de hartslagborstband niet boven uw kleding. Als u de hartslagborstband boven uw kleding draagt, zal er geen signaal komen.
- Als u een hartslaglimiet hebt ingesteld voor uw training, klinkt er een alarm wanneer deze wordt

overschreden.

- De zender verzendt de hartslag naar de console tot over een afstand van 1,5 meter. Als de elektroden niet vochtig zijn, verschijnt de hartslag niet op de display.
- Sommige vezels in kleding (bijv. polyester, polyamide) produceren statische elektriciteit die een nauwkeurige hartslagmeting kan hinderen.
- Mobiele telefoons, televisies en andere elektrische apparaten creëren een elektromagnetisch veld dat een nauwkeurige hartslagmeting kan hinderen.

**Maximale hartslag**

**(tijdens de training)**

De maximale hartslag is de hoogste hartslag die iemand veilig kan bereiken door de belasting van de training. De volgende formule wordt gebruikt voor het berekenen van de gemiddelde maximale hartslag:  $220 - \text{LEEFTIJD}$ . De maximale hartslag varieert van persoon tot persoon.



**WAARSCHUWING**

Zorg ervoor dat u tijdens uw training niet boven uw maximale hartslag komt. Als u bij een risicogroep hoort, moet u een arts raadplegen.

**Beginnen: (50-60% van de maximale Hartslag)**

Geschikt voor beginners, mensen die willen afvallen, herstellende patiënten en personen die lange tijd niet getraind hebben. Train minstens drie keer per week, 30 minuten per keer.

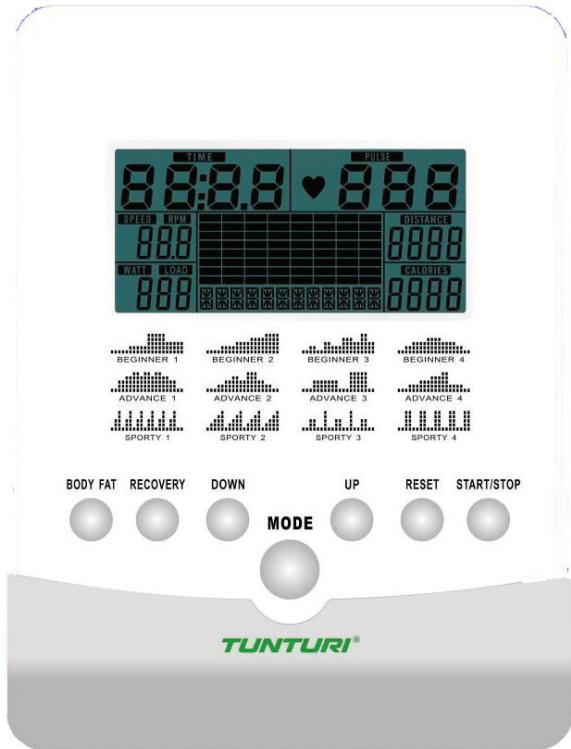
**Gevorderd: (60-70% van de maximale hartslag)**

Geschikt voor personen die hun conditie willen verbeteren en in stand houden. Train minstens drie keer per week, 30 minuten per keer.

**Expert: (70-80% van de maximale hartslag)**

Geschikt voor de fitste personen die gewend zijn aan langdurige duurtraining.

## User interface



### Display functies

#### Time scherm :

Geeft de tijd weer tijdens training.  
Range: 0:00 ~ 99.59

#### Speed scherm :

Geeft de snelheid weer tijdens training.  
Range: 0 ~ 999.

#### RPM scherm :

Geeft de rotaties per minuut weer tijdens training.  
Range: 0 ~ 999.

#### Watt scherm :

Geeft de training watt kracht weer tijdens training. In watt programma modus toont de console de ingestelde watt waarde.  
Instel range: 0 ~ 350.

#### Pulse scherm :

Geeft de hartslag in slagen per minuut weer tijdens training

#### Distance scherm :

Geeft de afstand weer tijdens de training.  
Range: 0.0 ~99.9

#### Calories scherm :

Geeft de verbrande calorieën weer tijdens training.  
Range: 0 ~999

### Toets functies

#### Body fat toets :

Test het lichaamsvet in % en de BMI.

#### Recovery toets :

Test de hartslag herstelstatus.

#### Down toets :

Verlaag de weerstandswaarde tijdens training.  
In keuzemenu's kiest u hiermee een lagere waarde.

#### Mode toets :

Hiermee bevestigt u uw keuze/selectie.

#### Up toets :

Verhoog de weerstandswaarde tijdens training.  
In keuzemenu's kiest u hiermee een hogere waarde.

#### Reset toets :

Wanneer deze toets 2 seconden vast wordt gehouden start de display opnieuw op met het hoofdmenu. (Alle getoonde data zal verwijderd worden).

#### Start/ stop toets :

Start de training wanneer trainer in ruststand is.  
Stopt/ pauzeert de training wanneer trainer actief is.

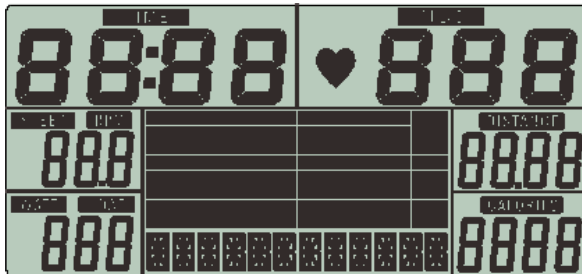
### Extra functies

- Kies snelheid/ afstand eenheid door de Metric/ Imperial switch op de achterkant van de console te gebruiken.

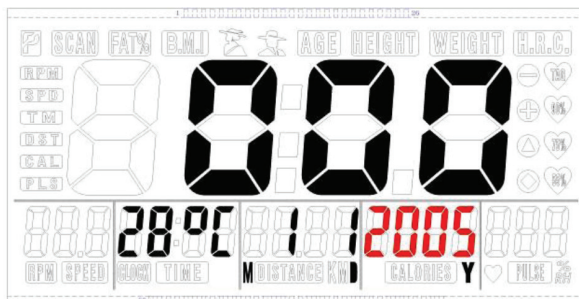
- Wanneer u één of meerdere startwaardes heeft ingesteld, zal de waarde optellen wanneer deze "0" bereikt heeft.

### Inschakelen

Sluit de trainer aan op het stroomnet. De computer start op en al de display segmenten worden voor 2 seconden weergegeven



De Console toont de eenheid instellingen en de geïnstalleerde software versie in de display voordat de display het opstartscherm toont.



**Let op:**

Na 4 minuten zonder trappen of hartslagmeting zal de console in slaapstand gaan.

Druk een willekeurige toets om de console uit de slaapstand te halen.

## Programma's

- Zet de display aan of gebruik de reset toets functie om naar het hoofdmenu te gaan.
- Druk de Up of Down toets om een trainingsprogramma te selecteren.

- Beschikbare programma's zijn: Quick start, Manual, Beginner, Advance, Sporty Cardio en Watt programma.

### Manueel mode



- Om Quick start modus te starten kunt u
- De Start/ stop toets om de training te beginnen zonder ingestelde waardes.
  - Tijdens de training kunt u met de Op en Neer toetsen de weerstand aanpassen. Quick start modus stopt wanneer er 4 minuten lang geen beweging gesignaleerd wordt of wanneer de Start/stop toets ingedrukt wordt.

Wanneer instellingen gewenst zijn in de Manual mode;

- Druk Up/ Down toets om een trainingsprogramma te selecteren, kies Manual mode en druk de "Mode" toets om in het instellingsmenu te komen.
- Druk de Up/ Down toets om de trainingstijd in te stellen en druk de "Mode" toets om te bevestigen.
- Na bevestiging kunt u ook de afstand, calorieën en hartslag instellen.



**Let op:**

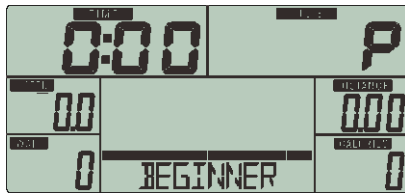
Wanneer u meer dan één streefwaarde instelt zal de training stoppen zodra er één streefwaarde bereikt is.

Laat streefwaardes blanco zodat deze niet gezien worden als ingesteld doel.

- Druk Start/ stop toets om de training te starten.
- Druk Up/ Down toetsen om de weerstand aan te passen.
- Druk Start/ stop toets om de training te pauzeren.
- Druk op de "Reset" toets om terug te keren naar het hoofdmenu (data van de actieve training zullen vergeten worden).



## Beginner Mode



- Druk Up/ Down toets om een trainingsprogramma te selecteren, kies voor beginner mode en druk de "Mode" toets om in het instellingsmenu te komen.
- Er kunnen 4 beginner programma's geselecteerd worden: beginner 1, beginner 2, beginner 3 en beginner 4. Selecteer één door middel van de Up/ Down toetsen en bevestig de keuze met de "Mode" toets.

BEGINNER 1      BEGINNER 2



BEGINNER 3      BEGINNER 4



- Druk de Up/ Down toets om de trainingstijd in te stellen en druk de "Mode" toets om te bevestigen.
- Na bevestiging kunt u ook de afstand, calorieën en hartslag instellen.



### Let op:

Wanneer u meer dan één streefwaarde instelt zal de training stoppen zodra er één streefwaarde bereikt is.

Laat streefwaardes blanco zodat deze niet gezien worden als ingesteld doel.

- Druk Start/ stop toets om de training te starten.
- Druk Op/ Neer toetsen om de weerstand aan te passen.
- Druk Start/ stop toets om de training te pauzeren.

- Druk op de "Reset" toets om terug te keren naar het hoofdmenu (data van de actieve training zullen vergeten worden).

## Advance Mode



- Druk Up/ Down toets om een trainingsprogramma te selecteren, kies voor advance mode en druk de "Mode" toets om in het instellingsmenu te komen.
- Er kunnen 4 advance programma's geselecteerd worden: Advance 1, advance 2, advance 3 en advance 4. Selecteer één door middel van de Up/ Down toetsen en bevestig de keuze met de "Mode" toets.

ADVANCE 1      ADVANCE 2



ADVANCE 3      ADVANCE 4



- Druk de Up/ Down toets om de trainingstijd in te stellen en druk de "Mode" toets om te bevestigen.
- Na bevestiging kunt u ook de afstand, calorieën en hartslag instellen.



### Let op:

Wanneer u meer dan één streefwaarde instelt zal de training stoppen zodra er één streefwaarde bereikt is.

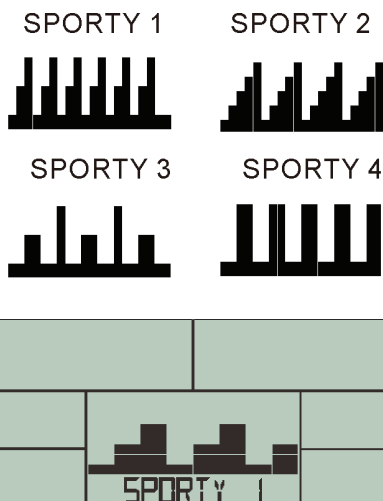
Laat streefwaardes blanco zodat deze niet gezien worden als ingesteld doel.

- Druk Start/ stop toets om de training te starten.
- Druk Op/ Neer toetsen om de weerstand aan te passen.
- Druk Start/ stop toets om de training te pauzeren.
- Druk op de “Reset” toets om terug te keren naar het hoofdmenu (data van de actieve training zullen vergeten worden).

### Sporty Modus



- Druk Up/ Down toets om een trainingsprogramma te selecteren, kies voor sporty mode en druk de “Mode” toets om in het instellingsmenu te komen.
- Er kunnen 4 sporty programma’s geselecteerd worden: sporty 1, sporty 2, sporty 3 en sporty 4. Selecteer één door middel van de Up/ Down toetsen en bevestig de keuze met de “Mode” toets.



- Druk de Up/ Down toets om de trainingstijd in te stellen en druk de “Mode” toets om te bevestigen.
- Na bevestiging kunt u ook de afstand, calorieën en hartslag instellen.



### Let op:

Wanneer u meer dan één streefwaarde instelt zal de training stoppen zodra er één streefwaarde bereikt is.

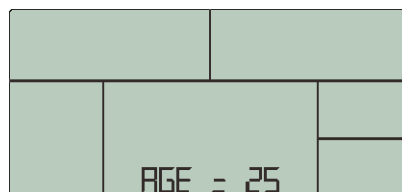
Laat streefwaardes blanco zodat deze niet gezien worden als ingesteld doel.

- Druk Start/ stop toets om de training te starten.
- Druk Op/ Neer toetsen om de weerstand aan te passen.
- Druk Start/ stop toets om de training te pauzeren.
- Druk op de “Reset” toets om terug te keren naar het hoofdmenu (data van de actieve training zullen vergeten worden).

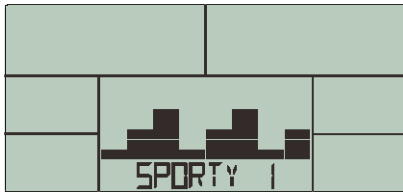
### Cardio Modus



- Druk Up/ Down toets om een trainingsprogramma te selecteren, kies voor Cardio mode en druk de “Mode” toets om in het instellingsmenu te komen.
- Druk de Up/ Down toets om de leeftijd in te stellen en druk de “Mode” toets om te bevestigen



Er kunnen 4 cardio programma’s geselecteerd worden: 55 %, 75%, 90% of TAG (Target Heart Rate) standaard ingesteld op 100% (gebruik de Up/ Down toetsen om te wijzigen en bevestig met de “Mode” key). Selecteer één programma door middel van Up/ Down toetsen en bevestig door de “Mode” toets te drukken.



- Druk Up/ Down toetsen om de trainingstijd in te stellen en druk "Mode" toets om te bevestigen.
- Druk Start/ Stop toets om de training te pauzeren.
- Druk op de "Reset" toets om terug te keren naar het hoofdmenu (data van de actieve training zullen vergeten worden).



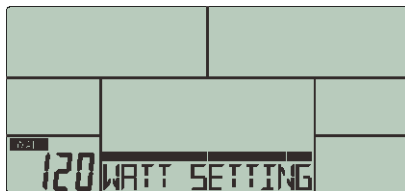
### Let op:

Wanneer er 6 seconden geen hartslag gemeten wordt zal de display "Pulse Input" tonen om de gebruiker te waarschuwen.

### Watt Mode



- Druk Up/ Down ngsprogramma te selecteren, kies voor Watt mode en druk de "Mode" toets om in het instellingsmenu te komen.
- Druk de Up/ Down toets om de Wattage in te stellen (standaard ingesteld op 120) en druk de "Mode" toets om te bevestigen.



- Druk Up/ Down toetsen om de trainingstijd in te stellen en druk "Mode" toets om te bevestigen.
- De console zal de weerstand aanpassen aan de hand van de Watt streefwaarde en de rpm.



- Druk Up/ Down toetsen om de Wattage tijdens training.
- Druk Start/ Stop toets om de training te pauzeren.
- Druk op de "Reset" toets om terug te keren naar het hoofdmenu (data van de actieve training zullen vergeten worden).

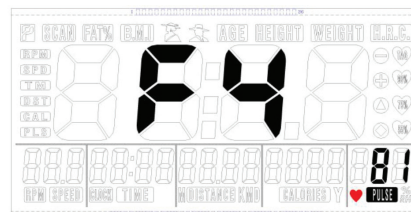
### Recovery

- Houd na de training de hartslagsensoren vast voor een bepaalde periode tot de werkelijke hartslag getoond wordt.
- Druk op de RECOVERY toets en pak opnieuw de hartslagsensoren vast.
- Alle display functies zullen stoppen behalve "TIJD", deze zal aflopen van 00:60 tot 00:00.



De LCD display zal het herstel van de hartslag tonen als F1, F2....tot F6.

F1 is het beste resultaat en F6 het slechtste. Druk opnieuw op de RECOVERY toets om terug te keren naar het hoofdmenu.





**LET OP**

Wanneer u tijdens de herstelperiode opnieuw op "RECOVERY" drukt dan zal de console teruggaan naar de vorige pagina.

**Opmerking:**

De herstel-index is in verhouding tot de frequentie van de hartslag in zowel het begin en het einde van de meting

**body fat**

Druk op de "Body fat" toets wanneer de trainer in ruststand is om deze functie te starten.

- Kies Geslacht door de op/neer toetsen te gebruiken en bevestig met de "Mode" toets.
- Kies Leeftijd door de op/neer toetsen te gebruiken en bevestig met de "Mode" toets.
- Kies Lengte door de op/neer toetsen te gebruiken en bevestig met de "Mode" toets.
- Kies Gewicht door de op/neer toetsen te gebruiken en bevestig met de "Mode" toets.

Na het bevestigen dient de gebruiker beide hartslagsensoren vast te houden.



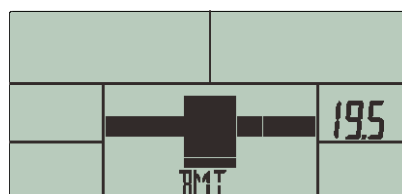
**LET OP**

Wanneer de hartslagsensoren niet goed worden vastgehouden kan de console geen juiste meting doen en wordt "----" " " "----". Weergegeven.

Pak de hartslagsensoren opnieuw vast het nogmaals te proberen.

Wanneer de console een juiste meting kan doen dan toont deze een voortgangsscherm.

Nadat de meting is afgerond zal de console het lichaamsvet percentage en BMI elke 3 seconden om en om tonen.



**LET OP**

Error codes in het lichaamsvet programma zijn:

LCD toont "----" " " "----":

hartslagsensoren kunnen geen juiste meting doen.

E1: Er is geen hartslagsignaal ontvangen voor minstens 5 seconden.

E4: Wordt getoond wanneer het vetpercentage lager is dan 5% of hoger dan 50% of wanneer de BMI lager is dan 5 of hoger dan 50.

## Reiniging en onderhoud

Ondanks voortdurende kwaliteitscontrole kan het gebeuren dat het toestel door individuele onderdelen defect is of niet goed werkt. In de meeste gevallen zal het voldoende zijn om het defecte onderdeel te vervangen.

- Als het toestel niet goed werkt, neem dan onmiddellijk contact op met de dealer.
- Geef het modelnummer en serienummer van het toestel op aan de dealer. Vertel wat de aard van het probleem is, hoe het toestel wordt gebruikt en wanneer u het toestel heeft gekocht.

## Transport en opslag



### WAARSCHUWING

Draag en verplaats het toestel met minstens twee personen.

- Blijf aan weerskanten aan de voorkant van het toestel staan en pak de handgrepen stevig vast. Til de voorkant van het toestel op zodat de achterkant
- van het toestel op de wielen komt te rusten. Verplaats het toestel en zet het voorzichtig neer. Zorg voor een beschermende laag onder het toestel om schade aan het vloeroppervlak te voorkomen.
- Verplaats het toestel voorzichtig over een ongelijke ondergrond. Breng hettoestel niet met behulp van de wielen naar boven, maar draag het toestel bij de handgrepen.
- Berg het toestel op een droge plaats op met zo weinig mogelijk temperatuurwisselingen.

## Garantie

Het product heeft een garantie vanaf de datum van aflevering (gedocumenteerd op de factuur).

Verdere informatie over de garantievoorwaarden kunt u verkrijgen bij uw plaatselijke dealer. De garantievoorwaarden kunnen variëren tussen landen onderling. Schade veroorzaakt door normale slijtage, overbelasting of verkeerd gebruik is van de garantie uitgesloten. Schade veroorzaakt door materiaal of fabricagefouten valt onder de garantie en wordt gratis gerepareerd of vervangen.

## Disclaimer

© 2014 Tunturi New Fitness BV.  
Alle rechten voorbehouden.

Het product en de handleiding zijn aan veranderingen onderhevig. Specificaties kunnen zonder verdere kennisgeving worden veranderd.

## Specifications

### Product

Operating system ..Manual Adjustment + PMS  
 Flywheel weight .....6 kg  
 Rotating mass .....12 kg  
 Power output @ 60 rpm ..... 220 Watt  
 Power output @100 rpm ..... 510 Watt  
 Power supply .....2 x AA type batteries  
 Length.....96 cm.  
 Width .....61 cm.  
 Max user weight ..... 135 kg / 300 lbs.

### Monitor

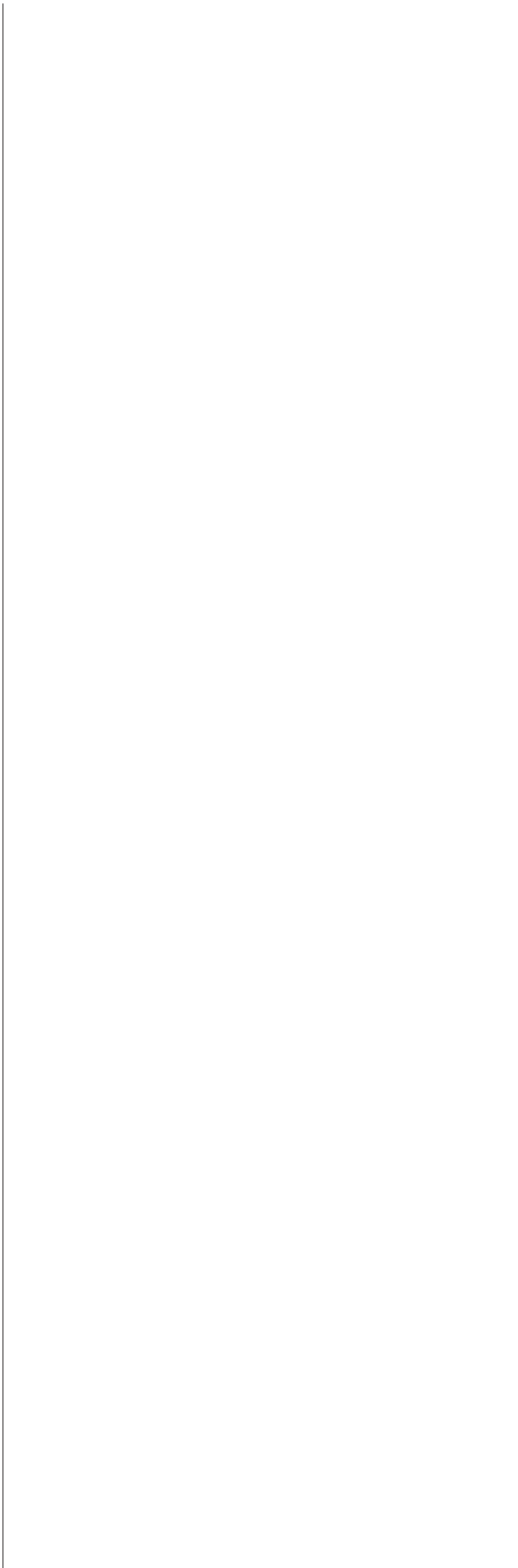
Display size ..... 5,5"screen  
 Display type ..... monochrome  
 Resistance level ..... 16  
 Programs total ..... 2  
 Preset programs ..... -  
 User programs ..... -  
 Watt program ..... -  
 Hrc programs ..... -  
 Recovery hr ..... 1  
 Max hr. -  
 Quick start/ manual ..... 1  
 Body fat + bmi ..... 1  
 User register ..... 9

### Ergonomics

Handlebar ..... Fixed / Multigrip  
 Seat type ..... Gel  
 Seat adjustment ..... Height  
 Contact heart rate ..... Yes  
 Telemetric hr receiver ..... Yes  
 Chest strap ..... Option (5,4 kHz)  
 Bottle holder ..... Option  
 Storage pocket ..... -  
 Transport wheels ..... Yes

### Quality

Operating environment ..... Home  
 En-957 class ..... HB

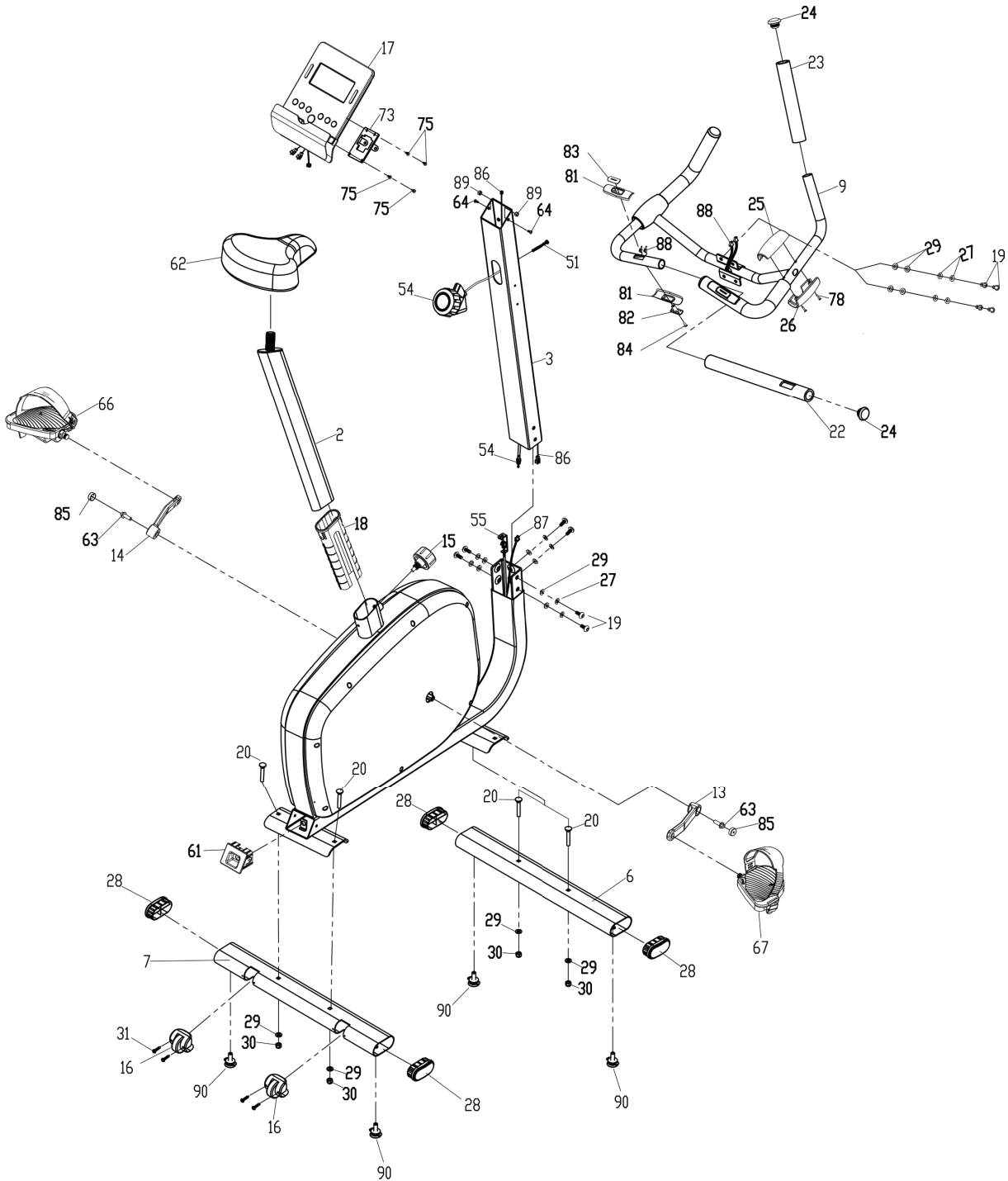


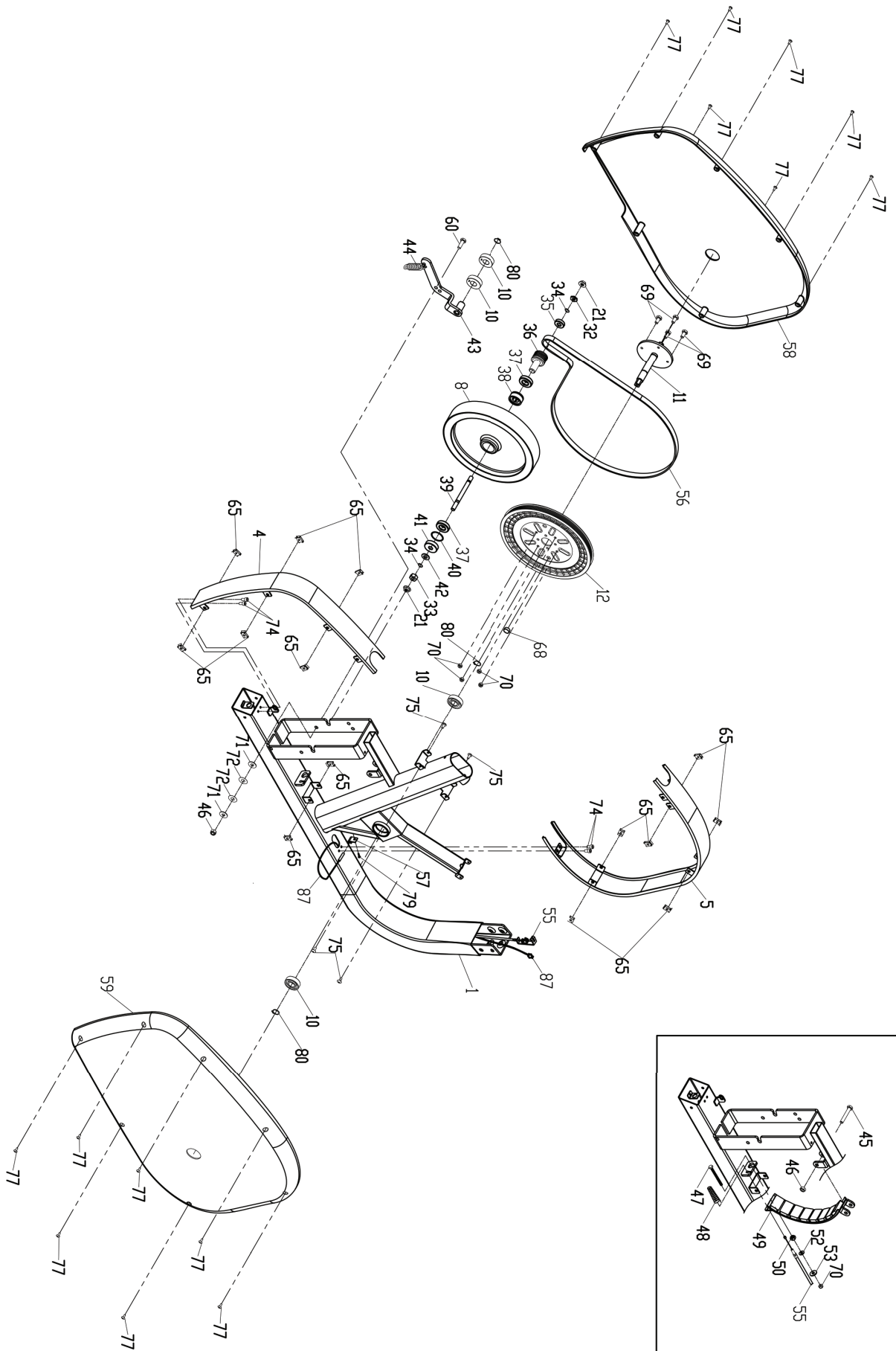
**Parts list**

#	Description	QTY		Description	QTY
1	Base frame	1	46	Nylon nut black (M8)	2
2	Seat post	1	47	Hex head screw (M6x60mm)	1
3	Upright tube	1	48	Press spring	1
4	Side cover metal strip, rear	1	49	Magnet assembly	1
5	Side cover metal strip, front	1	50	Hex nut black (M6)	1
6	Front stabilizer	1	51	Machine screw (M5x35)	1
7	Rear stabilizer	1	52	Flat washer (M6xØ19x1.5t)	1
8	Flywheel complete	1	53	Rubber washer (M7xØ22x2.5t)	1
9	Handle bar w/o accessories	1	54	Tension knob	1
10	Bearing (6203ZZ)	4	55	Tension connector cable	1
11	Pulley shaft	1	56	Drive belt (6PJ-1168)	1
12	Drive pulley (Ø 260mm)	1	57	Sensor bracket	1
13	Crank arm, RH	1	58	Side cover (LH)	1
14	Crank arm, LH	1	59	Side cover (RH)	1
15	Quick release knob	1	60	Hex head screw (M8x25mm)	1
16	Moving wheel	2	61	Dc cover	1
17	Console	1	62	Saddle	1
18	Seat post insert	1	63	Hex head shoulder screw	2
19	Round allen head bolt	10	64	Round PH machine screw	2
20	Carriage bolt (M8x55mm)	4	65	Side cover clip (M4)	14
21	Flywheel axle nut (3/8")	2	66	Pedal (LH)	1
22	Rear foam grip	2	67	Pedal (RH)	1
23	Front foam grip	2	68	Magnet for speed pickup	1
24	Handlebar end cap	4	69	Hex head screw (M6x16mm)	4
25	Top handlebar cover	2	70	Nylon nut (M6)	5
26	Bottom handle cover	2	71	Flat washer (M8x22x1.5t)	1
27	Spring washer (M8)	10	72	Nylon washer (Ø10xØ24x0.3t)	2
28	Oval end cap	4	73	Console assemble brackct	1
29	Flat washer (M8x16x1.2t)	14	74	Screw (M6x12mm)	4
30	Nylon nut (M8)	4	75	Round PH machine screw	10
31	Screw (M8-32 x5/8"l)	4	77	Round PH self tapping screw	14
32	Hex nut (3/8"x3.0t)	1	78	Round PH self tapping screw	4
33	Hex nut (3/8"x5.0t)	1	79	Round PH self tapping screw	1
34	C10 clip	2	80	C clip (Ø17)	3
35	Bearing (6000ZZ)	1	81	Hand pulse sensor set	2
36	Small pulley	1	84	Round PH self tapping screw	2
37	Bearing (6003ZZ)	2	85	Crank arm cap	2
38	One way bearing	1	86	Upper sensor wire	1
39	Flywheel shaft	1	87	Lower sensor wire	1
40	Flat washer (M30Ø34x0.8t)	1	88	Hand pulse wire	2
41	Bearing (6300ZZ)	1	89	Nylon nut (M6)	2
42	Flat washer (M10x21x2.0t)	1	90	Height adjustment foot	4
43	Idle wheel bracket	1			
44	Large spring	1			
45	Hex head screw (M8x52mm)	1			



### Exploded view











**TUNTURI®**

[www.tunturi.com](http://www.tunturi.com)

**TUNTURI NEW FITNESS B.V.  
P.O. BOX 60001  
1320 AA  
THE NETHERLANDS**

[www.tunturi.com](http://www.tunturi.com)

20140901